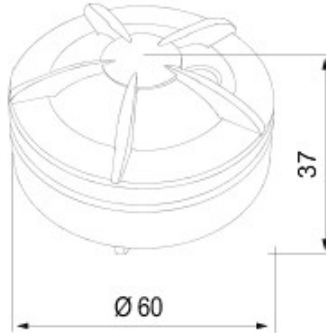




A system of command and control wireless devices based on Zigbee technology that offers innovative solutions for the renovation of buildings, minimizing the structural interventions. Zigbee is a safe and reliable system because the data exchanged are encrypted and every node of the network always ensures reachability among all the devices (mesh network). The Zigbee devices enrich the range of home&building automation solutions by Gewiss and can be managed via App, with smartphone and tablet, through the Smart Gateway.

Kategori	Sensör H2O	Renk	Beyaz
İletişim protokolü	Zigbee (IEEE 802.15.4)	besleme voltaj	Battery powered
Güç besleme pilleri	CR123 replaceable	Output power	8 dBm
Siren output	85 dB/3 m	Temperature sensor	0...50 °C
Standart	2014/53/EU, EN 60669-2-1, ETSI EN 300 328	IP derecesi	IP20
Kullanım sıcaklığı	0 ÷ +50 °C	Depolama sıcaklığı	-20 ÷ +80 °C
Relative humidity (non-condensative)	10 ÷ 95%	Boyutlar (mm)	Ø 60x37
Elektrokod	051A		

DIMENSIONAL



TECHNICAL SYMBOLOGY

IP

IP20

STANDARDS/APPROVALS



GEWISS S.p.A. Via A. Volta, 1
24069 Cenate Sotto - Bergamo - Italy
tel. +39 035 94 61 11 fax +39 035 94 69 09

www.gewiss.com
sat@gewiss.com
Last update 14/11/2019

Data, measures, designs and pictures are shown only as informativ purposes, and could be changed without previous notice