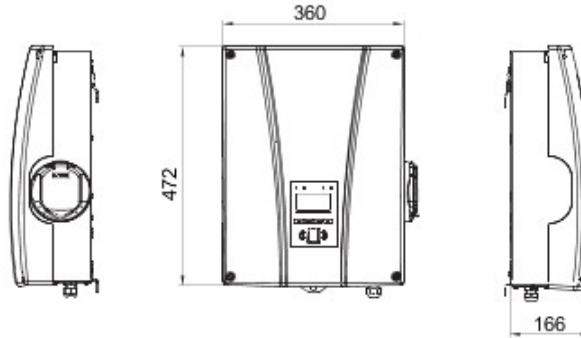




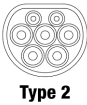
PARKING VERSION: Products made in compliance with international standard IEC61851 for surface-mounting installation in private and public contexts. They are available in a single-phase and three-phase version with maximum output power from 7,4kW to 22kW (partializable). Fitted with Type 2 socket-outlet with a shutter and a mechanical retention system to hold the cable in place during the recharging operation. Version with automatic reset device with means for evaluating the presumed residual current along with automatic regular testing to ensure service continuity even if the residual current device is triggered, and for automatically and regularly checking that the residual current device is working properly. With an LCD graphic display for user interface, and an RFID card scanner for enabling/disabling the circuits (monitoring energy consumption). With an energy accumulator with minimum 1-hour autonomy (during power failure), and compatible with the OCPP protocol (by using web services - SOA).

Şarj modu (EN 61851)	3	Şarj kutusu (EN 61851)	A-B
besleme voltaj	230V	Frekans	50Hz
Nominal akım	32 A	Maksimum güç	7,4 kW
Şarj süresi	3 h	Şarj tipi	Yavaş
Priz Tip 2	1	Koruma	RCBO
Kullanıcı aktivasyonu	RFID kartlı	IP derecesi	IP54
Malzeme	Alüminyum ön kısım	Direnç dayanıklı	IK10 (ekran IK08)
Dış yüzey	Anti-graffiti boya uygulaması - RAL 9003	Kullanım sıcaklığı	-25 +50 °C

DIMENSIONAL



TECHNICAL SYMBOLOGY



IP

IP54

IK

IK10 (ekran IK08)

STANDARDS/APPROVALS

