

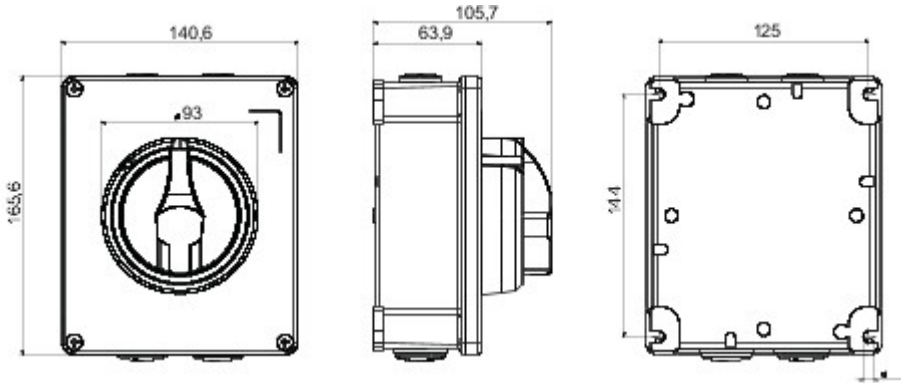


70 RT HP is a new range of 16A to 160A switch disconnectors in isolating material and metal, supplied in a box. Available in control and emergency versions, the range is completed by board versions for front-panel or DIN rail assembly, in 16 to 63A options, all of which can be equipped with auxiliary contacts. These devices have been designed to deliver the ultimate in reliability, functionality and performance. They offer a technologically advanced solution that simplifies installation, reduces wiring times and ensures maximum safety and robustness, even in the most demanding conditions, thanks to the use of high-performance materials.

Versiyon	Box	Malzeme	Metal
Tip	Acil durum için	Nominal akım (A)	16
Devre kesici	Rotary isolator	IP derecesi	IP66
Direnç dayanıklı	IK10 (IK08 knob)	Ortam sıcaklığı	-25 +60 °C
Lid screws (no. and type)	4 metal screws	Delik girişi	4xM20
Kitlenebilir	YES (max. 3 locks in OFF)	Komple kontrollü	Max. 2 auxiliary contacts
Current in AC22 (415V)		Current in AC23 (415V)	16
Kablo kısmı	Max 10 mm <sup>2</sup>	Dış boyut LxHxD (mm)	140x165x64
Elektrokod	1742		



### DIMENSIONAL



### TECHNICAL SYMBOLOGY

**IP**

IP66

**IK**

IK10 (IK08 knob)

### STANDARDS/APPROVALS

