

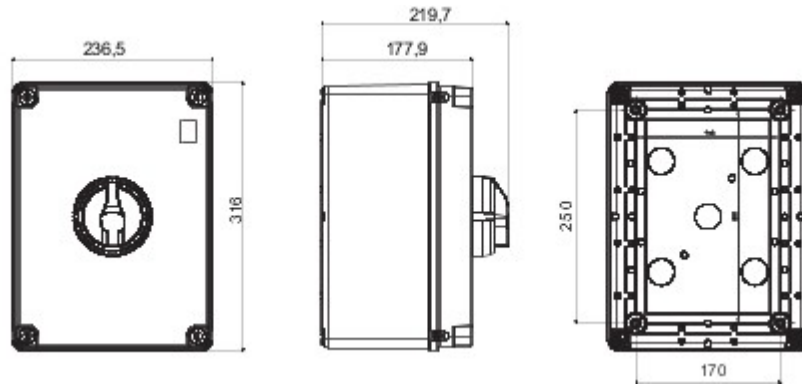


70 RT HP is a new range of 16A to 160A switch disconnectors in isolating material and metal, supplied in a box. Available in control and emergency versions, the range is completed by board versions for front-panel or DIN rail assembly, in 16 to 63A options, all of which can be equipped with auxiliary contacts. These devices have been designed to deliver the ultimate in reliability, functionality and performance. They offer a technologically advanced solution that simplifies installation, reduces wiring times and ensures maximum safety and robustness, even in the most demanding conditions, thanks to the use of high-performance materials.

Versiyon	Box	Malzeme	Yalıtım
Tip	Command	Nominal akım (A)	125
Devre kesici	Rotary isolator	IP derecesi	IP66/IP67/IP69
Direnç dayanıklı	IK08	Ortam sıcaklığı	-25 +60 °C
Lid screws (no. and type)	4 insulation	Kitlenebilir	YES (max. 3 locks in ON and OFF)
Komple kontrollü	Max. 4 auxiliary contacts	Current in AC22 (415V)	125
Current in AC23 (415V)	125	Kablo kısmı	maks 70 mm <sup>2</sup>
Dış boyut LxHxD (mm)	236,5x316x178	Elektrokod	1742



### DIMENSIONAL



### TECHNICAL SYMBOLOGY

**IP**

IP66/IP67/IP69

**IK**

IK08

### STANDARDS/APPROVALS

