

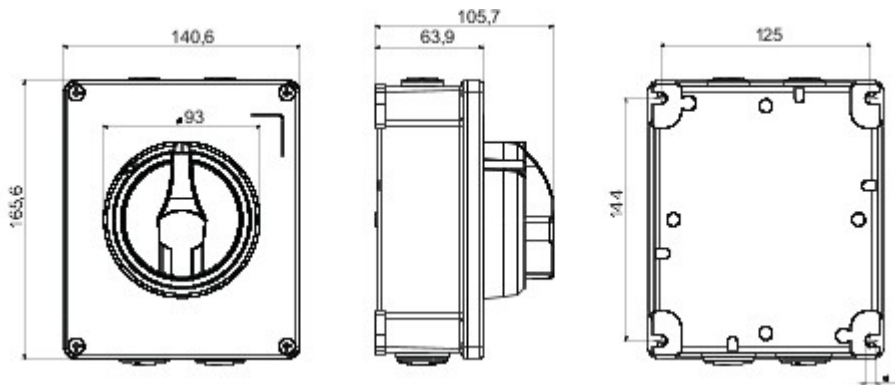


70 RT HP is a new range of 16A to 160A switch disconnectors in isolating material and metal, supplied in a box. Available in control and emergency versions, the range is completed by board versions for front-panel or DIN rail assembly, in 16 to 63A options, all of which can be equipped with auxiliary contacts. These devices have been designed to deliver the ultimate in reliability, functionality and performance. They offer a technologically advanced solution that simplifies installation, reduces wiring times and ensures maximum safety and robustness, even in the most demanding conditions, thanks to the use of high-performance materials.

Версия	Коробка	Материал	Металл
Тип	Аварийное исполнение	Номинальный ток (A)	16
Авт. выкл.	Rotary isolator	Степень защиты	IP66
Стойкость к удару	IK10 (IK08 knob)	Темп-ра в помещении	-25 ÷ +60 °C
Lid screws (no. and type)	4 metal screws	Отверстия ввода	4xM20
Блокируемый	YES (max. 3 locks in OFF)	Поставляется в комплекте с	Max. 2 auxiliary contacts
Current in AC22 (415V)	16	Current in AC23 (415V)	16
Сечение кабелей	≤10мм ²	Габариты ШxВxГ (мм)	140x165x64
Код в системе Electrocod	1742		



DIMENSIONAL



TECHNICAL SYMBOLOGY

IP

IP66

IK

IK10 (IK08 knob)

STANDARDS/APPROVALS

