

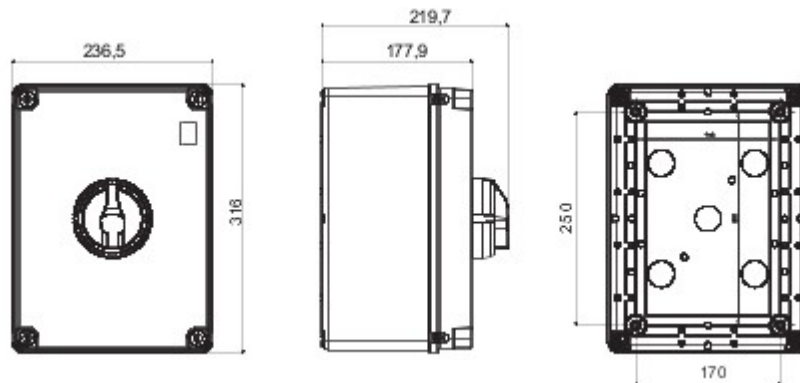


70 RT HP is a new range of 16A to 160A switch disconnectors in isolating material and metal, supplied in a box. Available in control and emergency versions, the range is completed by board versions for front-panel or DIN rail assembly, in 16 to 63A options, all of which can be equipped with auxiliary contacts. These devices have been designed to deliver the ultimate in reliability, functionality and performance. They offer a technologically advanced solution that simplifies installation, reduces wiring times and ensures maximum safety and robustness, even in the most demanding conditions, thanks to the use of high-performance materials.

Версия	Коробка	Материал	Пластик
Тип	Команды	Номинальный ток (A)	160
Авт. выкл.	Rotary isolator	Степень защиты	IP66/IP67/IP69
Стойкость к удару	IK08	Темп-ра в помещении	-25 + +60 °C
Lid screws (no. and type)	4 insulation	Блокируемый	YES (max. 3 locks in ON and OFF)
Поставляется в комплекте с	Max. 4 auxiliary contacts	Current in AC22 (415V)	160
Current in AC23 (415V)	125	Габариты ШxВxГ (мм)	236,5x316x178
Код в системе Electrocod	1742		



DIMENSIONAL



TECHNICAL SYMBOLOGY

IP **IK**

IP66/IP67/IP69

IK08

STANDARDS/APPROVALS

