



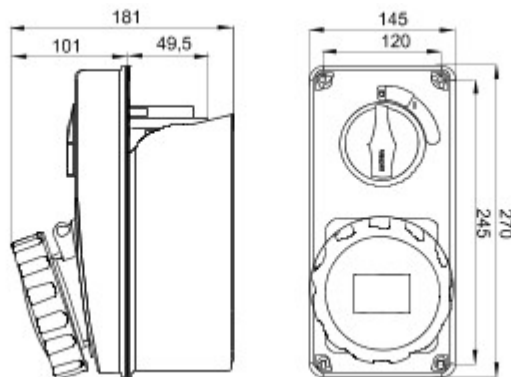
Industrial-type socket-outlets conforming to IEC 309 Standard, with mechanical interlock consisting of a circuit breaker enabling the plug to be connected and disconnected only in the open position, and the switch to close only with the plug inserted. Wide range including models with rotary switch and fuseholder base, AUTOMATIKA with 6kA C characteristic miniature circuit breaker, and version with safety transformer. High application versatility thanks to the possibility of assembly in back-mounting and flush-mounting boxes, and boards of the 68 Q-DIN and Q-MC ranges.

Tipologia	Vertical	Termopressão com esfera	125 °C (Tomada IB) - 80 °C (Caixa de fundo)
Grau de protecção	IP67	N. pólos	2P+T
Resistên. golpes	IK08	Frequência	50/60 Hz
Temperatura de uso	-25 +40 °C	Protecção	NO (SBF)
Com fundo	Si	Código Electrocod	2222
Teste de fio incandescente	850 °C (Tomada) - 650 °C (Caixa)	Cor	Azul
Corrente nominal (A)	63	Referência h	6
Tensão nominal	200 - 250 V		



DIMENSIONAL

13



TECHNICAL SYMBOLOGY

125 °C (Tomada IB) -
80 °C (Caixa de
fundo)

IP

IP67

IK

IK08

INSTALAÇÃO
-25°C min +40°C max
-25 +40 °C

GWT

850 °C (Tomada) -
650 °C (Caixa)

STANDARDS/APPROVALS

