

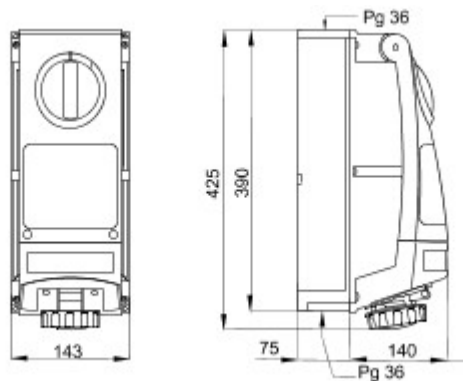


A product range comprising industrial-type socket-outlets conforming to IEC 60309 Standard, with rotary switch mechanical interlock for individual or group applications on modular bases. The robustness of the products and their resistance to the main chemical and atmospheric agents, together with the high IP66 degree of protection, mean they can be installed in tough environments with critical atmospheric, chemical and mechanical (accidental impact) conditions.

Tipologia	Vertical	Termopressão com esfera	80 °C
Impact resistance at -20 °C	20 J	Grau de protecção	IP66
N. pólos	3P+N+T	Resistên. golpes	> IK10
Frequência	50/60 Hz	Temperatura de uso	-25 +40 °C
Protecção	NO (SBF)	Com fundo	Si
Código Electrocod	2222	Teste de fio incandescente	850 °C
Cor	Amarelo	Corrente nominal (A)	63
Referência h	4	Tensão nominal	100-130 V
Tipo de utilização	Usos gravosos		



DIMENSIONAL



TECHNICAL SYMBOLOGY



IP

IP66

IK

> IK10



GWT

850 °C

STANDARDS/APPROVALS

