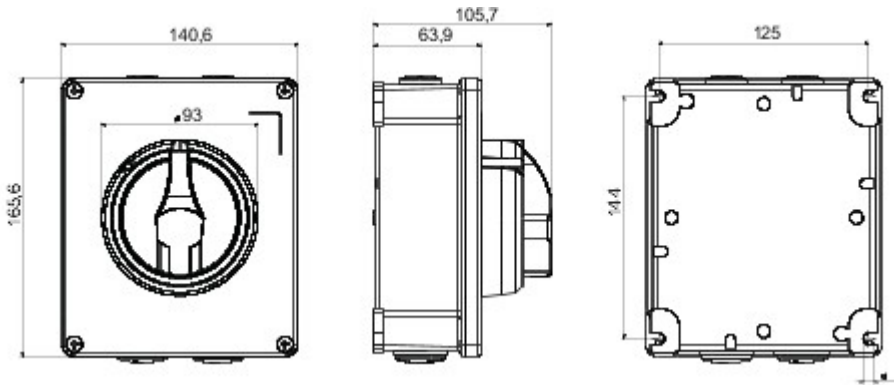


70 RT HP is a new range of 16A to 160A switch disconnectors in isolating material and metal, supplied in a box. Available in control and emergency versions, the range is completed by board versions for front-panel or DIN rail assembly, in 16 to 63A options, all of which can be equipped with auxiliary contacts. These devices have been designed to deliver the ultimate in reliability, functionality and performance. They offer a technologically advanced solution that simplifies installation, reduces wiring times and ensures maximum safety and robustness, even in the most demanding conditions, thanks to the use of high-performance materials.

Versão	Box	Material	Metal
Tipologia	Para emergência	Corrente nominal (A)	16
Interruptor	Rotary isolator	Grau de protecção	IP66
Resistên. golpes	IK10 (IK08 knob)	Temperatura ambiente	-25 +60 °C
Lid screws (no. and type)	4 metal screws	Furos de entrada	4xM20
Bloqueável	YES (max. 3 locks in OFF)	Com acessórios de	Max. 2 auxiliary contacts
Current in AC22 (415V)		Current in AC23 (415V)	16
Secção cabos	Max 10 mm <sup>2</sup>	Dim. externas BxHxP (mm)	140x165x64
Código Electrocod	1742		



### DIMENSIONAL



### TECHNICAL SYMBOLOGY

**IP**

IP66

**IK**

IK10 (IK08 knob)

### STANDARDS/APPROVALS

