

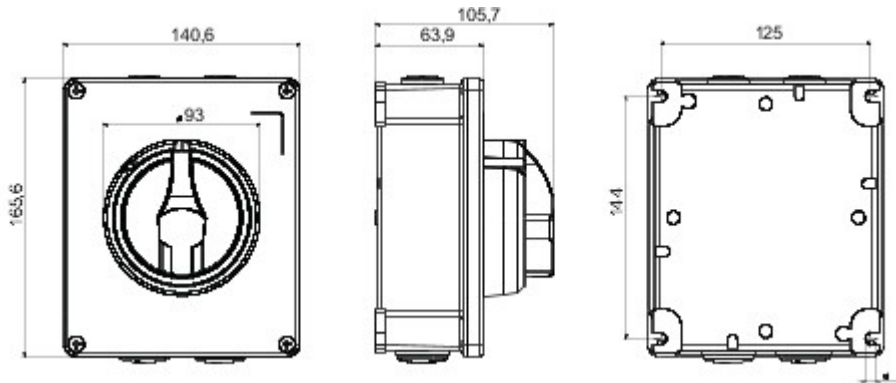


70 RT HP is a new range of 16A to 160A switch disconnectors in isolating material and metal, supplied in a box. Available in control and emergency versions, the range is completed by board versions for front-panel or DIN rail assembly, in 16 to 63A options, all of which can be equipped with auxiliary contacts. These devices have been designed to deliver the ultimate in reliability, functionality and performance. They offer a technologically advanced solution that simplifies installation, reduces wiring times and ensures maximum safety and robustness, even in the most demanding conditions, thanks to the use of high-performance materials.

| Versão | Box | Material | Metal |
|---------------------------|----------------------------------|--------------------------|---------------------------|
| Tipologia | Comando | Corrente nominal (A) | 16 |
| Interruptor | Rotary isolator | Grau de protecção | IP66 |
| Resistên. golpes | IK10 (IK08 knob) | Temperatura ambiente | -25 +60 °C |
| Lid screws (no. and type) | 4 metal screws | Furos de entrada | 4xM20 |
| Bloqueável | YES (max. 3 locks in ON and OFF) | Com acessórios de | Max. 2 auxiliary contacts |
| Current in AC22 (415V) | 16 | Current in AC23 (415V) | 16 |
| Secção cabos | Max 10 mm ² | Dim. externas BxHxP (mm) | 140x165x64 |
| Código Electrocod | 1742 | | |



DIMENSIONAL



TECHNICAL SYMBOLOGY

IP

IP66

IK

IK10 (IK08 knob)

STANDARDS/APPROVALS

