

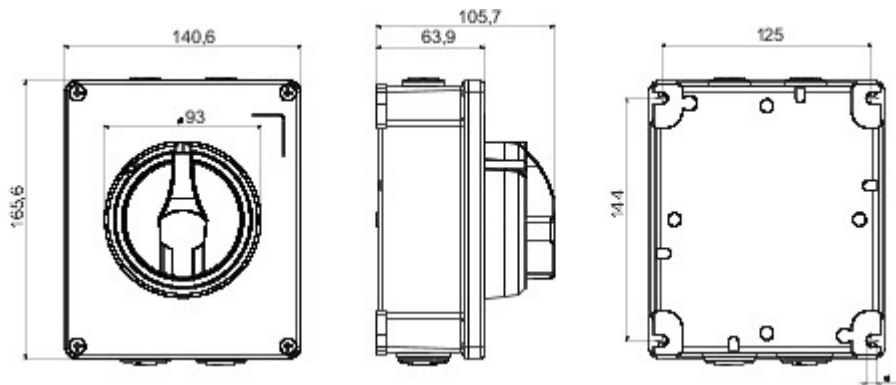


70 RT HP is a new range of 16A to 160A switch disconnectors in isolating material and metal, supplied in a box. Available in control and emergency versions, the range is completed by board versions for front-panel or DIN rail assembly, in 16 to 63A options, all of which can be equipped with auxiliary contacts. These devices have been designed to deliver the ultimate in reliability, functionality and performance. They offer a technologically advanced solution that simplifies installation, reduces wiring times and ensures maximum safety and robustness, even in the most demanding conditions, thanks to the use of high-performance materials.

Wersja	Skrzynka	Materiał	Metal
Typ	Dla sytuacji awaryjnych	Prąd znamionowy (A)	16
Wyłączniki	Rotary izolator	Ochrona IP	IP66
Odporność na wstrząsy	IK10 (IK08 knob)	Temperatura otoczenia	-25 +60 °C
Lid screws (no. and type)	4 metal screws	otworów wejście	4xM20
Zamykany	YES (max. 3 locks in OFF)	Wyposażony w	Max. 2 auxiliary contacts
Current in AC22 (415V)		16	Current in AC23 (415V)
Kabel przekrój	Maks. 10 mm ²	Śred. zewn. LxHxD (mm)	140x165x64
Electrocod	1742		



DIMENSIONAL



TECHNICAL SYMBOLOGY

IP

IP66

IK

IK10 (IK08 knob)

STANDARDS/APPROVALS

