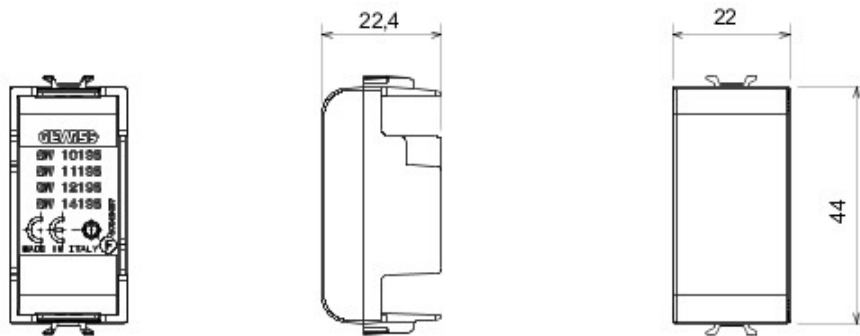




A system of command and control wireless devices based on Zigbee technology that offers innovative solutions for the renovation of buildings, minimizing the structural interventions. Zigbee is a safe and reliable system because the data exchanged are encrypted and every node of the network always ensures reachability among all the devices (mesh network). The Zigbee devices enrich the range of home&building automation solutions by Gewiss and can be managed via App, with smartphone and tablet, through the Smart Gateway.

Description	1 gang	Category	Blanking module
Colour	White	Symbol	Radio frequency
Suitable for	Contacts interfaces, Zigbee actuators	Thermo-pressure with ball	125 °C
Glow Wire Test	850 °C	Standard	EN 60669-1
No. Chorus modules	1	Electrocod	0100

### DIMENSIONAL



### TECHNICAL SYMBOLOGY



GEWISS S.p.A. Via A. Volta, 1  
24069 Cenate Sotto - Bergamo - Italy  
tel. +39 035 94 61 11 fax +39 035 94 69 09

www.gewiss.com  
sat@gewiss.com  
Last update 22/10/2019

Data, measures, designs and pictures are shown only as informative purposes, and could be changed without previous notice