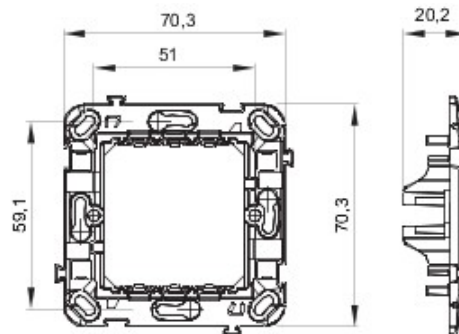


Frame supports for the fixing of the Chorus modular devices, made in technopolymer and characterized by ribs that reinforce the structure and ensure high performances. The range includes versions for the mounting with plates for rectangular boxes and capacity up to 12 modules, versions for the mounting with international plates for round/square boxes and versions for DIN rail mounting. They fit in flush-mounting or wall-mounting boxes and are equipped with fixing system based on screws or clutches. The practical way of assembly/release from the front of the frame supports of the Chorus modular devices also allows to mount devices with modularity of 1/2, 1, 2 and 3 modules.

Description	2 gang	Characteristics	Halogen free
Fixing	With screws (not included)	For box	Round/Square
Glow wire test	650 °C	Thermo-pressure with ball	70 °C
Standard	EN 60669-1	Electrocod	0122

### DIMENSIONAL



### TECHNICAL SYMBOLOGY



**GWT**

650 °C



70 °C

### STANDARDS/APPROVALS



GEWISS S.p.A. Via A. Volta, 1  
24069 Cenate Sotto - Bergamo - Italy  
tel. +39 035 94 61 11 fax +39 035 94 69 09

www.gewiss.com  
sat@gewiss.com  
Last update 22/10/2019

Data, measures, designs and pictures are shown only as informativ purposes, and could be changed without previous notice