



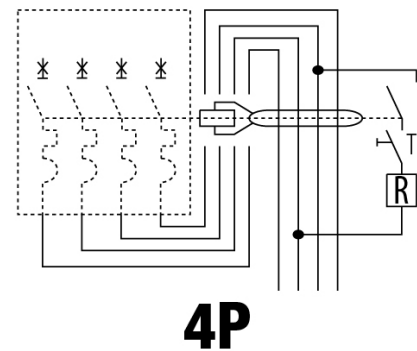
| Description | RESIDUAL CURRENT DEVICE |
|--|-------------------------|
| Code | BD |
| No. of poles | 4P |
| No. modules | 3.5 |
| Rated current | 25 A |
| Rated residual operating current | 500 mA |
| Type | AC |
| Rated voltage (IEC/EN 61009-1 app. G, IEC/EN 61009-2-1 app. G) | 400 V |

| | | | |
|-------------------------|--|---------------------------------|------------------------|
| Standard | IEC/EN 61009-1 app. G, IEC/EN 61009-2-1 app. G | Rated frequency (Hz) | 50/60 Hz |
| Insulation voltage | 500 V | Rated impulse withstand voltage | 4 kV |
| Overvoltage category | III | Level of immunity (8/20 μs) | 250 A |
| Section rigid cable | Max 35 mm ² | Section flexible cable | Max 35 mm ² |
| Operating temperature | -25 +40 °C | Stocking temperature | -40 +70 °C |
| Rated tightening torque | 2 Nm | Assembly position | Any |

DIMENSIONAL



WIRING DIAGRAM



STANDARDS/APPROVALS

