

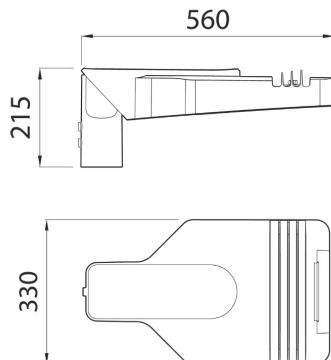
### ROAD [5] Range



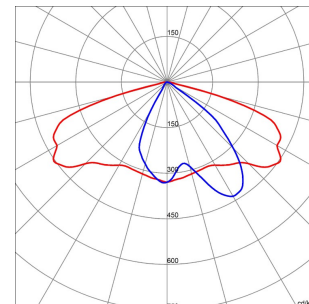
High Power LED streetlight with cover, frame, and EN AB 46100 low copper painted aluminium cast-iron pole attachment. Suitable for installation both on top of the pole and offset, with 5° pitch adjustment. Opening and closing system with integrated front handle. Closure fabricated in tempered flat glass (4mm thick). Cable input via PG13.5. Safety disconnect. Cable plate in PA6.6+PV. Printed Circuit Board (PCB) in metal core. Metallic PC optical system. Common surge protection up to 10 kV. Operational up to 50°C ambient temperature but with reduction of the supply current as indicated in the Instruction Manual.

| GENERAL INFORMATION                     |  | OPTIC AND ILLUMINATING FEATURES     |  |
|---|--|-------------------------------------|--|
| Context                                 | Street and parking lighting  | Optic                               | WIDE   |
| Luminaire                               | LED Road Equipment   | Unified Glare Rating                | G*4 - ULOR = 0                                   |
| Application                             | External   | Lumen output (lm)                   | 5000   |
| Unique digital code (Datamatrix)        | Currently not present  | Efficiency (lm/W)                   | 135  |
| Colour                                  | Graphite grey  | Colour temperature                  | 4000 K   |
| Type of light source                    | LED  | Color Rendering Index               | CRI>70   |
| System power                            | 37 W @ 1A  | Standard Deviation Colour Matching  | SDCM = 5   |
| LED Lifetime                            | L90B10(Tq25°C)>115.000h;<br>L90B10(Tq40°C)=115.000h  | Photobiological Risk Class          | RG0  |
| Weight (kg)                             | 6.4  | Standard                            | EN 60598-2-3, EN 60598-1 IEC/TR 62778            |
| Warranty                                | 5 years  | ELETRICAL AND LIGHTING FEATURES     |  |
| Stocking temperature                    | -  | Supply voltage                      | 220 - 240 V                                      |
| Operating temperature                   | -25 +40 °C   | Rated frequency (Hz)                | 50 / 60  |
| MATERIALS                               |  | Driver failure rate                 | F10=100.000h Tq25°C/75.000h Tq40°C               |
| Body                                    | Die-cast aluminium -   | Driver                              | Included   |
| Shield type                             | 4mm thick flat tempered glass  | Overvoltage protection              | DM 10KV / CM 10KV                                |
| Optic                                   | Riflettore in alluminio PVD argento  | Control System                      | Bi-power with self-learning                      |
| Gasket                                  | Anti-aging silicone  | INSTALLATION AND MAINTENANCE        |  |
| Locking Hook                            | Integrated front handle  | Mouting and installation            | Pole Head - Outreach                             |
| External screw                          | Stainless steel  | Tilt                                | -20° ÷ +10° side bracket - -10° ÷ +20° pole head |
| Colour                                  | Powder coating   | Wiring                              | Isolating switch                                 |
| STANDARDS AND APPROVALS                 |  | Fixing                              | Pole Head - Outreach                             |
| Classification                          | -  | Light souce replaceability          | Not available-By professional                    |
| Device with reduced surface temperature | -  | Controlgear replaceability          | Not available-By professional                    |
| DIN 18032-3 certification               | -  | Driver Box                          | Built-in   |
| IPEA                                    | STRADALE A7+ // GRANDI AREE A8+<br>// CICLOPEDONALI A7+ // AREE VERDI A5+ // CENTRO STORICO A11+ | Maximum surface exposed to the wind | 0.15 m²  |
| Insulation class                        | II   |                                     |  |
| IP degree                               | IP66   |                                     |  |
| Mechanical resistance                   | IK08   |                                     |  |
| Glow Wire Test                          | -  |                                     |  |

### DIMENSIONAL



### PHOTOMETRIC DISTRIBUTION



### TECHNICAL SYMBOLOGY



IP  
IP66

IK  
IK08

GWT  
-

0.15 m²

ROAD [5] Range

STANDARDS/APPROVALS

