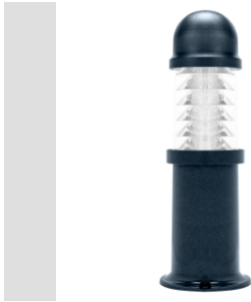


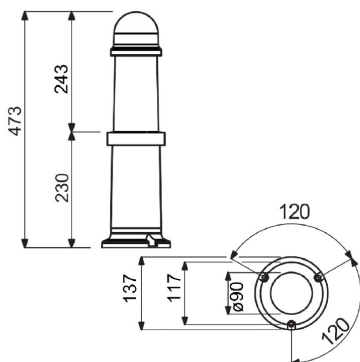
### POINT range



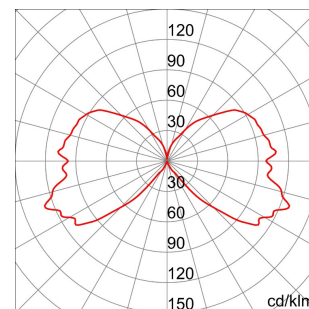
Pole style lighting apparatus for residential areas. Characterized by the shielding of the light source, it hosts LED sources. Available in two different, small sizes (h = 473 mm and 550 mm). Sober and elegant design, with a newly developed internal, transparent diffuser that conveys the light emission towards the ground, optimizing the flux and avoiding upwards light dispersion. The fixing means allow for a fast and safe maintenance.

Lamp power	5 W	Lamp	DR
Lamp holder	E14	Colour temperature	3000 K
Colour	BlueGreen	No. of lamps	1
Glow Wire Test	650 °C	Insulation class	II
IP degree	IP55	Mechanical resistance	IK10
Voltage	230 V - 50 Hz	Application	External
Light pollution	25%	Efficiency class of integrated LEDs	D + A+
Type of light source	A+	Warranty	Can be extended
Electrocod	2442		

### DIMENSIONAL



### PHOTOMETRIC DISTRIBUTION



### TECHNICAL SYMBOLOGY

**GWT**

650 °C



**IP**

IP55

**IK**

IK10



**EXTENDED  
WARRANTY**

### STANDARDS/APPROVALS

