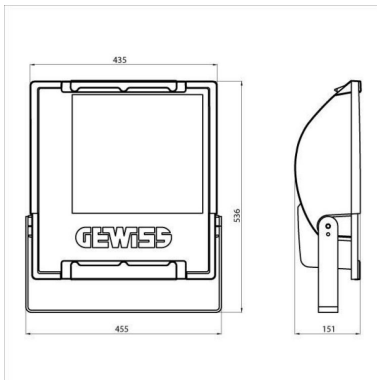




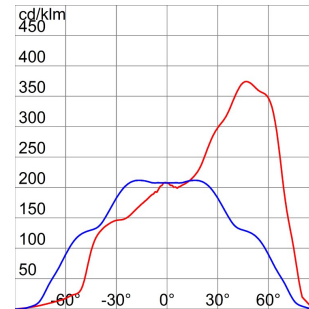
Floodlight in die cast aluminum with galvanized bracket and painted the same color as the body. Equipped with graduate scale to facilitate orientation. Flat tempered glass 4 mm thickness silk screen printed; hinged to the body for quick access inside the Floodlight. Anti aging silicone gasket. Power input through PG13.5 for cables Ø 6.5 ÷ 13 mm. Optic in 99.85% polished and anodised aluminium. Electrical component plate in galvanized steel. Quick wiring tripolar terminal block.

Application	External	IP degree	IP66
Mechanical resistance	IK09	Insulation class	I
Maximum surface exposed to the wind	0.199 m ²	Lateral surface exposed to the wind	0.058 m ²
Minimum distance from the illuminated object	1 m	Weight (kg)	11.7
Colour	Graphite grey	Voltage	230 V - 50 Hz
Lamp power	400 W	Lamp current	4.2 A
Lamp holder	E40	Lamp supplied	MT
Lamp included	Yes	Efficiency class of the lamp supplied	A
Efficiency class of compatible lamps	A ÷ A+	Optic	Asymmetrical - ULOR: 0%
DIN 18032-3 certification	Complying	Electrocod	2433

DIMENSIONAL



PHOTOMETRIC DISTRIBUTION



TECHNICAL SYMBOLOGY



IP

IP66

IK

IK09



0.199 m²



1 m



WITH LAMP



STANDARDS/APPROVALS



Data, measures, designs and pictures are shown only as informativ purposes, and could be changed without previous notice - Last update 12/11/2019