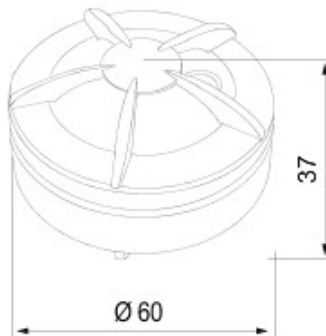




A system of command and control wireless devices based on Zigbee technology that offers innovative solutions for the renovation of buildings, minimizing the structural interventions. Zigbee is a safe and reliable system because the data exchanged are encrypted and every node of the network always ensures reachability among all the devices (mesh network). The Zigbee devices enrich the range of home&building automation solutions by Gewiss and can be managed via App, with smartphone and tablet, through the Smart Gateway.

Category	Sensor H2O	Colour	White
Communication protocol	Zigbee (IEEE 802.15.4)	Supply voltage	Battery powered
Power supply batteries	CR123 replaceable	Output power	8 dBm
Siren output	85 dB/3 m	Temperature sensor	0...50 °C
Standard	2014/53/EU, EN 60669-2-1, ETSI EN 300 328	IP degree	IP20
Working temperature	0 ÷ +50 °C	Stocking temperature	-20 ÷ +80 °C
Relative humidity (non-condensative)	10 ÷ 95%	Dimensions (mm)	Ø 60x37
Electrocod	051A		

### DIMENSIONAL



### TECHNICAL SYMBOLOGY

**IP**

IP20

### STANDARDS/APPROVALS

