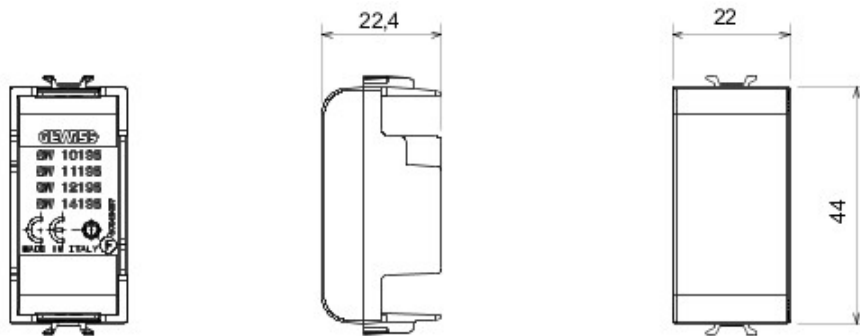


| | | | |
|--------------------|---------------------------------------|---------------------------|-----------------|
| Description | 1 module | Category | Blanking module |
| Colour | Black | Symbol | Radio frequency |
| Suitable for | Contacts interfaces, Zigbee actuators | Thermo-pressure with ball | 125 °C |
| Glow Wire Test | 850 °C | Standard | EN 60669-1 |
| No. Chorus modules | 1 | Electrocod | 0100 |

DIMENSIONAL



TECHNICAL SYMBOLOGY



STANDARDS/APPROVALS

