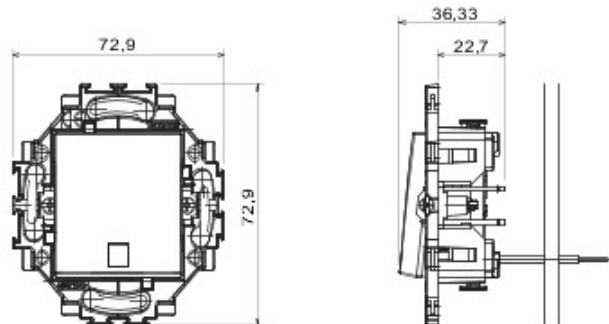


Wiring device system specific for installations in round and square boxes, characterized by an elegant appearance and classic shapes. The plates, realized in technopolymer in seven colors and in different modularities, from 1 up to 5 gang, are installable indifferently in horizontal or in vertical position. The range, developed around a core of monobloc devices, is available in two colors: white and ivory, in glossy finish. Expandable thanks to the Chorus modular devices.

Category	Switch	Button key	With replaceable neutral lens
Colour	Ivory	Material	Technopolymer
Finishing	Glossy	Description	1P - 10 AX backlit
Voltage	250 V ac	Type of terminals	Screwless
Fixing	With clutches/Screws	Rated power of 230V LED lamps	100 W
Glow wire test	850 °C	Thermo-pressure with ball	125 °C
Resistance at test voltage	2000 V at 50 Hz for 1 minute	Insulation resistance	> 5 MOhm
Prolonged operation switch (no.of position changes)	40.000 at In 250 V ac cosØ=0,6	Terminal grip on cable traction	30 N
Terminal tightening capacity	0,5-2x2,5 mm ² rigid cables	Standard	EN 60669-1; 2014/35/EU

DIMENSIONAL



TECHNICAL SYMBOLOGY



STANDARDS/APPROVALS

