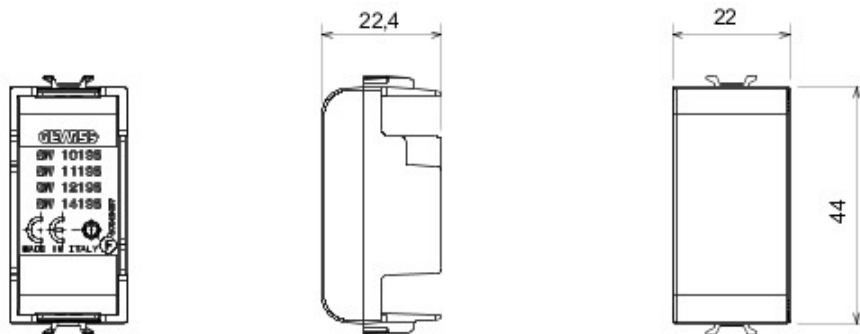




A system of command and control wireless devices based on Zigbee technology that offers innovative solutions for the renovation of buildings, minimizing the structural interventions. Zigbee is a safe and reliable system because the data exchanged are encrypted and every node of the network always ensures reachability among all the devices (mesh network). The Zigbee devices enrich the range of home&building automation solutions by Gewiss and can be managed via App, with smartphone and tablet, through the Smart Gateway.

| | | | |
|--------------------|---------------------------------------|---------------------------|-----------------|
| Description | 1 module | Category | Blanking module |
| Colour | Titanium | Symbol | Radio frequency |
| Suitable for | Contacts interfaces, Zigbee actuators | Thermo-pressure with ball | 125 °C |
| Glow Wire Test | 850 °C | Standard | EN 60669-1 |
| No. Chorus modules | 1 | Electrocod | 0100 |

DIMENSIONAL



TECHNICAL SYMBOLOGY



STANDARDS/APPROVALS

