

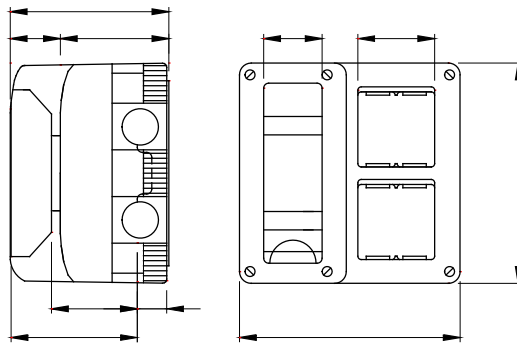
A complete, versatile system of modular containers, perfectly integrable in the SYSTEM domestic range and able to meet the high protection installation requirements of the residential, commercial and industrial sectors. The 27 COMBI range is available both in the IP40 version and in watertight versions with IP55, IP65 and IP66 degree of protection, recommended for all outdoor applications which are subjected to extreme atmospheric conditions.

|                             |                               |                           |                     |
|-----------------------------|-------------------------------|---------------------------|---------------------|
| Description                 | 4 gang + 2 DIN modules        | Colour                    | Grey RAL 7035       |
| Door type                   | Rigid                         | Door colour               | Smoked Transparent  |
| No. knockout holes Ø23      | 10 on sides / 2 on the bottom | Type of knockout holes    | Removable with tool |
| IP degree                   | IP40                          | Insulation class          | II                  |
| Mechanical resistance       | IK07                          | Configuration             | Module 2 x 2        |
| Compartment pre-arrangement | 1                             | Type of enclosure         | GP                  |
| No. SYSTEM modules          | 4                             | No. DIN modules           | 2                   |
| Characteristics             | Halogen free                  | Lid screws                | Stainless steel     |
| Torque screws tightening    | 0.8 Newton/meter              | Outer dim. LxHxD (mm)     | 132x132x95          |
| Dispersible power (W)       | 13                            | Rated voltage             | 400V ac             |
| Rated current (In)          | 32 A                          | Insulation voltage (Ui)   | 750 V               |
| Glow Wire Test              | 650 °C                        | Thermo-pressure with ball | 70 °C               |
| Standard                    | EN 60670-1 - EN 60670-24      | Installation temperature  | -25 +60 °C          |
| Electrocod                  | 0212                          |                           |                     |

#### BEHAVIOUR WITH CHEMICAL AND ATMOSPHERIC AGENTS

| Saline solution | Acids              |           | Bases        |           | Solvents           |               |               |               | Mineral oil        | UV rays   |
|-----------------|--------------------|-----------|--------------|-----------|--------------------|---------------|---------------|---------------|--------------------|-----------|
|                 | Concentrated       | Diluted   | Concentrated | Diluted   | Hexane             | Benzol        | Acetone       | Alcohol       |                    |           |
| Resistant       | Limited resistance | Resistant | Resistant    | Resistant | Limited resistance | Not resistant | Not resistant | Not resistant | Limited resistance | Resistant |

#### DIMENSIONAL



#### TECHNICAL SYMBOLOGY



IP

IP40



II

IK

IK07



Halogen free

GWT

650 °C



70 °C

#### STANDARDS/APPROVALS

