

Outdoor cable ties, made in PA12, are indicated to fix devices and cables also in presence of low temperature. From sizes 9x265 mm are available ties with double heads that increase the tensile stress resistance.

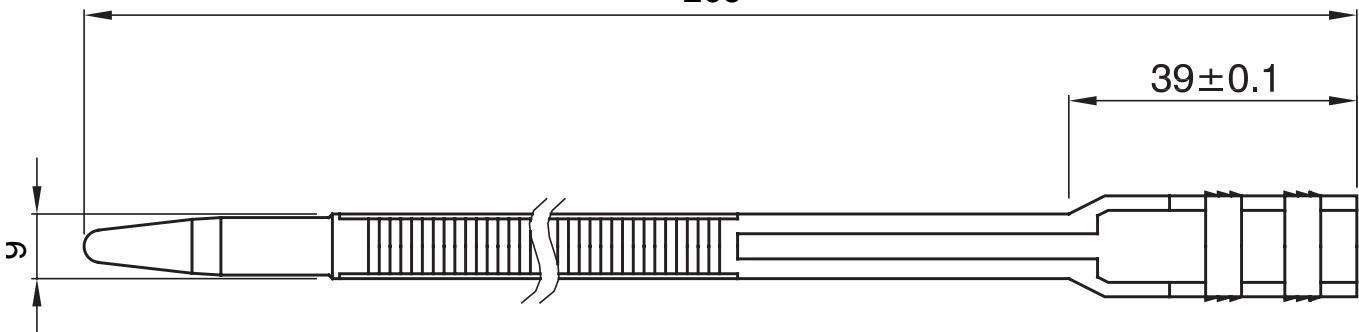
Colour	Black	Dimensions LxH (mm)	9x265
Material	Polyamide 12	Tensile stress (daN)	50
Terminal grip capacity Ø	26-60 mm	Number of heads	2
Glow Wire Test	650 °C	Type	L.T.R.
Type of material	Halogen-free in compliance with EN 60754-2	Electrocod	3640
Dielectric rigidity	28 kV/mm	Standard	EN 62775
Flame resistance in compliance with UL 94	HB	Oxygen limit index	22,5%
Humidity absorbed	<= 1%	Installation temperature	-25 +60 °C
Service temperature range	-45 °C +85 °C (max.peaks 120 °C)		

#### BEHAVIOUR WITH CHEMICAL AND ATMOSPHERIC AGENTS

Saline solution	Acids		Bases		Solvents				Mineral oil	UV rays
	Concentrated	Diluted	Concentrated	Diluted	Hexane	Benzol	Acetone	Ethyl alcohol		
Resistant	Limited resistance	Limited resistance	Limited resistance	Resistant	Resistant	Resistant	Resistant	Resistant	Resistant	Resistant

#### DIMENSIONAL

265



#### TECHNICAL SYMBOLOGY

**GWT**

650 °C

**HF**

HALOGEN FREE

Halogen-free in compliance with EN 60754-2

#### STANDARDS/APPROVALS

