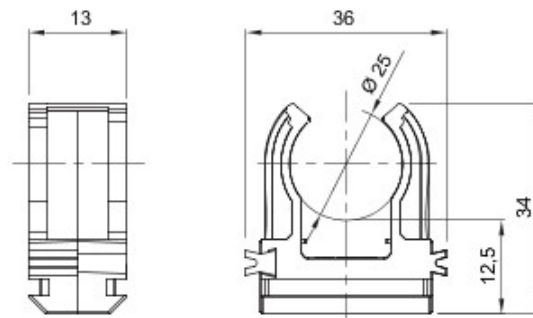


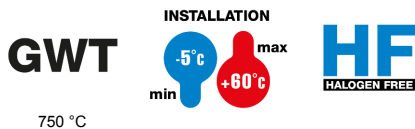
Systems of accessories for electrical installations used for residential, tertiary and industrial applications. The system consists of fasteners for pipes and cables, cable fittings, accessories for rigid pipes (RK Series) and flexible conduit (DF Series). The system include also a wide variety of cable ties (52FS Range) and terminal blocks (44 Range).

Colour	Grey RAL 7035	Material	Shockproof polymer
Fixing	Clip	For external conduits (mm)	25
Glow Wire Test	750 °C	Wall-conduit axis distance (mm)	24.5
Operating temperature	-5 +60 °C	Type of material	Halogen-free in compliance with EN 60754-2
Electrocod	21221	Standard	EN 61386-1 (when applicable)

DIMENSIONAL



TECHNICAL SYMBOLOGY



750 °C

GEWISS S.p.A. Via A. Volta, 1
24069 Cenate Sotto - Bergamo - Italy
tel. +39 035 94 61 11 fax +39 035 94 69 09

www.gewiss.com
sat@gewiss.com
Last update 26/10/2020

Data, measures, designs and pictures are shown only as informative purposes, and could be changed without previous notice