



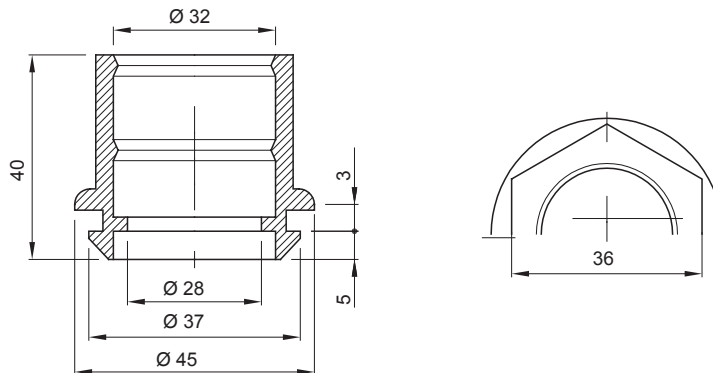
Systems of accessories for electrical installations used for residential, tertiary and industrial applications. The system consists of fasteners for pipes and cables, cable fittings, accessories for rigid pipes (RK Series) and flexible conduit (DF Series). The system include also a wide variety of cable ties (52FS Range) and terminal blocks (44 Range).

|                       |                                         |                            |        |
|-----------------------|-----------------------------------------|----------------------------|--------|
| Colour                | Grey RAL 7035                           | IP degree                  | IP44   |
| Material              | Flexible polymer                        | For external conduits (mm) | 32     |
| Mounting hole Ø (mm)  | 37                                      | Glow Wire Test             | 750 °C |
| Operating temperature | -5 +60 °C                               | Electrocod                 | 21221  |
| Standard              | EN 61386-1 - EN 60670-1 (as applicable) |                            |        |

#### BEHAVIOUR WITH CHEMICAL AND ATMOSPHERIC AGENTS

| Saline solution | Solvents      |                    |               | Mineral oil | UV rays   |
|-----------------|---------------|--------------------|---------------|-------------|-----------|
|                 | Hexane        | Benzol             | Acetone       |             |           |
| Resistant       | Not resistant | Limited resistance | Not resistant | Resistant   | Resistant |

#### DIMENSIONAL



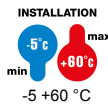
#### TECHNICAL SYMBOLOGY

**IP**

IP44

**GWT**

750 °C



-5 +60 °C

#### STANDARDS/APPROVALS

