

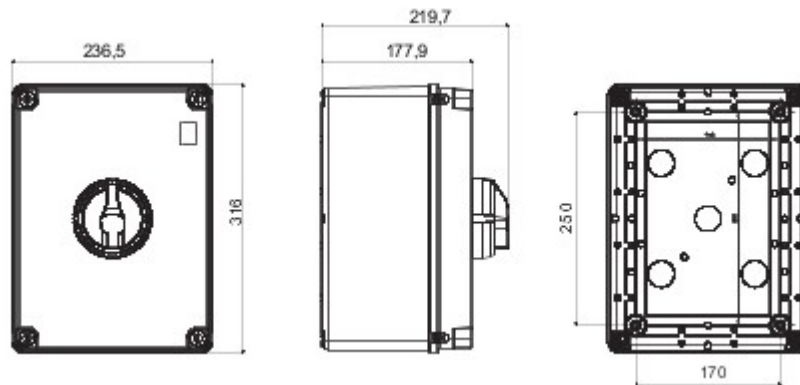


70 RT HP is a new range of 16A to 160A switch disconnectors in isolating material and metal, supplied in a box. Available in control and emergency versions, the range is completed by board versions for front-panel or DIN rail assembly, in 16 to 63A options, all of which can be equipped with auxiliary contacts. These devices have been designed to deliver the ultimate in reliability, functionality and performance. They offer a technologically advanced solution that simplifies installation, reduces wiring times and ensures maximum safety and robustness, even in the most demanding conditions, thanks to the use of high-performance materials.

Version	Box	Material	Insulation
Type	Command	Rated current (A)	160
Circuit breaker	Rotary isolator	IP degree	IP66/IP67/IP69
Mechanical resistance	IK08	Ambient temperature	-25 +60 °C
Lid screws (no. and type)	4 insulation	Lockable	YES (max. 3 locks in ON and OFF)
Complete with	Max. 4 auxiliary contacts	Current in AC22 (415V)	160
Current in AC23 (415V)	125	Outer dim. LxHxD (mm)	236,5x316x178
Electrocod	1742		



DIMENSIONAL



TECHNICAL SYMBOLOGY

IP **IK**

IP66/IP67/IP69

IK08

STANDARDS/APPROVALS

