



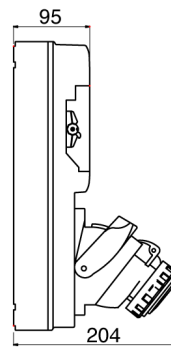
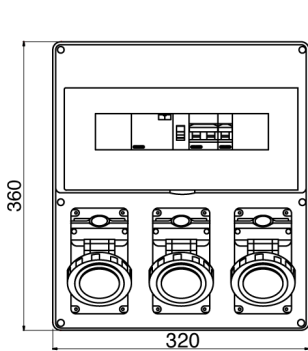
A complete system of IP65 boards for distributing energy in tertiary, commercial sector and building applications, available both empty and pre-wired, in accordance with the international standards EN 61439-3 and EN 61439-4. The distribution boards allow to house flush-mounting and interlocked socket-outlets up to 63 A and versions are available with 5, 10, 14 or 20 DIN modules and additional modules 14 and 20 DIN modules allow to increase modular space inside the boards. The switches can always be inspected, thanks to the wide transparent door with ergonomic handle and, thanks to the "hinged" screws of the front of the board, wiring and maintenance are easy. Q-DINs are ideal for fixed applications, surface-mounting or pole-mounting, and transportable applications, by handle and carrier. To ensure the best possible performance even in outdoor environments, prolonged exposure to the sun and bad weather, the boards are also UV resistant certified in compliance with EN 62208.

Type	COMBIBLOC DBO	board type	Wired
Colour	Grey RAL 7035	Outer dim. LxHxD (mm)	320x360x210
Weight (kg)	4.1	Accordance with Standards	EN 61439-3 (DBO)
Characteristics	UV resistance (EN 62208)	IP degree	IP55
Mechanical resistance	IK09	Glow wire test	850 °C (active parts) - 650 °C (passive parts)
Thermo-pressure with ball	70 °C	Insulation class	II
Power supply	Terminal block	No. of poles	3P+N+E
Power suppliable (kW)	13.9	MCB'S MT main RCCB	RCCB 25A 4P 0,03A - AC type
Circuits protection	MCB	No. socket outlets	3
Socket-outlet 2P+E 16A - IB	2	Socket-outlet 3P+E 16A - IB	1

BEHAVIOUR WITH CHEMICAL AND ATMOSPHERIC AGENTS

Saline solution	Acids		Bases		Solvents				Mineral oil	UV rays
	Concentrated	Diluted	Concentrated	Diluted	Hexane	Benzol	Acetone	Alcohol		
Resistant	Limited resistance	Resistant	Resistant	Resistant	Limited resistance	Not resistant	Not resistant	Limited resistance	Limited resistance	Limited resistance

DIMENSIONAL



Electrical Data							
GW66395	16A - 2P+E	16A - 3P+E	16A - 3P+N+E	32A - 2P+E	32A - 3P+E	32A - 3P+N+E	63A - 3P+E
SOCKET-OUTLET TYPE	2	1					
RATED CURRENT	20A						
RATED VOLTAGE	400V						
SHORT-CIRCUIT CURRENT (Icc)	6 kA						
MAIN SWITCH	Differential - AC Class						
OUTPUT PROTECTION	2 x MTC						
EMERGENCY PUSH-BUTTON	NO						
POWER SUPPLY	Triphase						

NOTE: the cell in grey identify IB socket-outlet.
Consult or download the electrical diagram from www.Gewiss.com website.

TECHNICAL SYMBOLOGY



EN 61439-3 (DBO)



UV resistance (EN 62208)

IP

IP55

IK

IK09

GWT

850 °C (active parts)
- 650 °C (passive parts)



70 °C



II

STANDARDS/APPROVALS

