



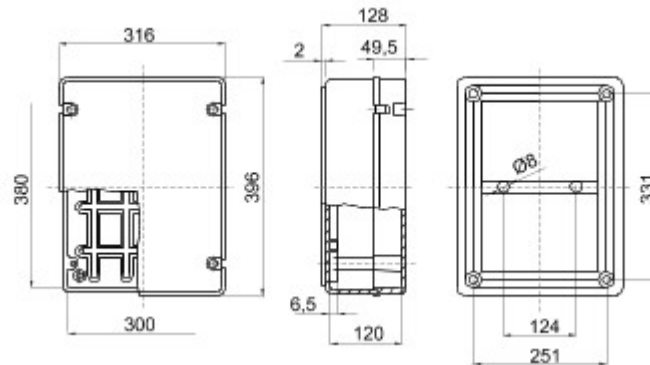
Range 44 CE - Surface-mounting watertight junction boxes in compliance with EN 60670-1 (CEI 23-48) and IEC 60670-22 (CEI 23-94) and made in high-performance technopolymers. The range includes versions with protection degree IP44, IP55, IP56 with smooth walls or with quick entry cable glands and different type of covers: blind / transparent, deep/plain, press-on/screw (in plastic, also 1/4 turn, or in metal). Available in different self-extinguishing materials (up to GWT 960 °C). Suitable for ordinary junctions, for special uses, and for industrial uses.

|                                      |                                       |                           |  |
|--------------------------------------|---------------------------------------|---------------------------|--|
| Insulation class                     | II (according to IEC 61140 standards) | Colour                    | Grey RAL 7035                              |
| IP degree                            | IP56                                  | Material                  | Technopolymer GWPLAST 120                  |
| Mechanical resistance                | IK08                                  | Internal dim. LxHxD (mm)  | 380x300x120                                |
| Max Ø holes possible                 | 48 mm                                 | Lid screws (no. and type) | 4 insul. sealable hinged                   |
| Application                          | Industrial uses                       | Glow Wire Test            | 650 °C                                     |
| Lid colour                           | Transparent                           | Lid                       | Plain screwed                              |
| Operating temperature                | -25 +60 °C                            | Type of material          | Halogen-free in compliance with EN 60754-2 |
| Electrocod                           | 0231                                  | Thermo-pressure with ball | 110 °C                                     |
| Torque screws tightening             | 1.8 Newton/meter                      | Walls                     | Smooth                                     |
| Accessories for insulation restoring | GW44621, GW44623                      |                           |  |

#### BEHAVIOUR WITH CHEMICAL AND ATMOSPHERIC AGENTS

| Saline solution | Acids         |                    | Bases         |                    | Solvents           |               |               |                    | Mineral oil        | UV rays            |
|-----------------|---------------|--------------------|---------------|--------------------|--------------------|---------------|---------------|--------------------|--------------------|--------------------|
|                 | Concentrated  | Diluted            | Concentrated  | Diluted            | Hexane             | Benzol        | Acetone       | Alcohol            |                    |                    |
| Resistant       | Not resistant | Limited resistance | Not resistant | Limited resistance | Limited resistance | Not resistant | Not resistant | Limited resistance | Limited resistance | Limited resistance |

#### DIMENSIONAL



#### TECHNICAL SYMBOLOGY

|  |                   |                   |                      |  |   |   |
|--|-------------------|-------------------|----------------------|--|---|---|
| <br>EN 61140<br>II (according to IEC 61140 standards) | <b>IP</b><br>IP56 | <b>IK</b><br>IK08 | <b>GWT</b><br>650 °C | <b>INSTALLATION</b><br><br>-25 +60 °C | <b>HF</b><br>HALOGEN FREE<br>Halogen-free in compliance with EN 60754-2 | <br>110 °C |
|--|-------------------|-------------------|----------------------|--|---|---|

#### STANDARDS/APPROVALS

