

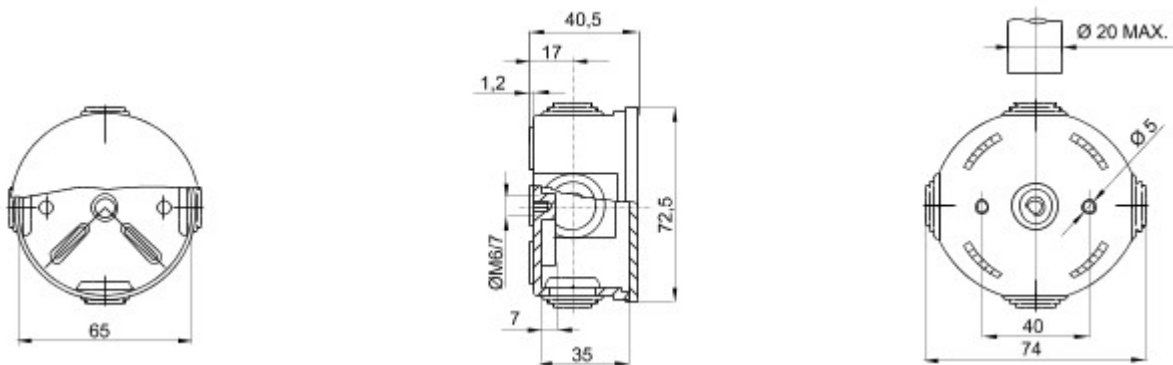


Range 44 CE - Surface-mounting watertight junction boxes in compliance with EN 60670-1 (CEI 23-48) and IEC 60670-22 (CEI 23-94) and made in high-performance technopolymers. The range includes versions with protection degree IP44, IP55, IP56 with smooth walls or with quick entry cable glands and different type of covers: blind / transparent, deep/plain, press-on/screw (in plastic, also 1/4 turn, or in metal). Available in different self-extinguishing materials (up to GWT 960 °C). Suitable for ordinary junctions, for special uses, and for industrial uses.

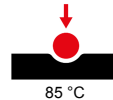
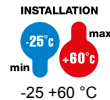
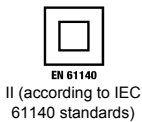
Insulation class	II (according to IEC 61140 standards)	IP degree	IP44
Material	Technopolymer GWPLAST 75	Mechanical resistance	IK07
Internal dim. LxHxD (mm)	Ø 65x35	Entries No. holes / Ø	4 / 23
Application	Special uses	Glow Wire Test	960 °C
Box colour	Red RAL 3000	Lid colour	Grey RAL 7035
Lid	Plain press-on	Operating temperature	-25 +60 °C
Electrocod	02210	Thermo-pressure with ball	85 °C
Walls	With cable glands	Accessories for insulation restoring	GW44622



### DIMENSIONAL



### TECHNICAL SYMBOLOGY



### STANDARDS/APPROVALS

