

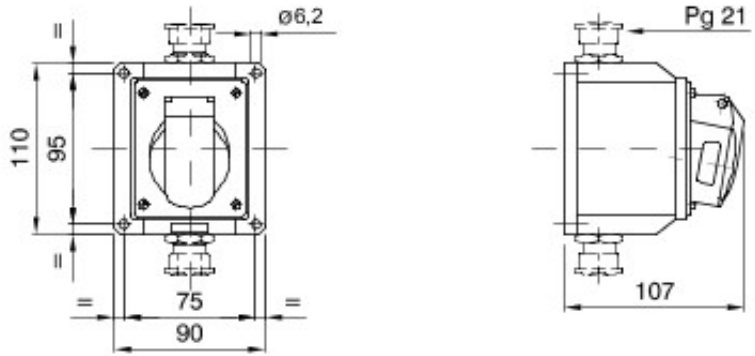


A range of trailing and fixed plugs and socket-outlets for industrial use, complying with the dimensional and performance standards unified at International level (IEC 60309) and assimilated by the European Standards (EN 60309) and Italian Standards (CEI 23-12). Socket-outlets and plugs with a rated current of 63 and 125A are equipped with an extra pilot contact (CP) for creating an electric interlock. The range is completed with 90° fixed plugs and 10° and 90° fixed socket-outlets. Sleeves and pins are obtained from solid brass bar, type Pt. CuZn40Pb2 (Cu 58%, Zn 40%, Pb 2%); anti-loosening terminals with unlosable screws, and built-in cable clamp with anti-abrasion cable gland.

Renk	Yeşil	Nominal akım (A)	32
IP derecesi	IP44	Kutup adedi	2P
Direnç dayanıklı	IK08	Referans h	11
Tip	10° açılı siva üstü montaj prizi	Nominal voltaj	20-25V ve 40-50 V
Frekans	401 - 500 Hz	Terminal sıkıştırma kapasitesi	2,5-6mm ² esnek kablolar - 2,5-10mm ² sert kablolar
Çalıştırma sıcaklığı	-25 +40 °C	Kablolama tipi	Vıdalı
Elektrokod	2210	Akkor Tel Deneyi	850 °C (aktif parçalar) - 650 °C (pasif parçalar)
Toplam çalışma sayısı	> 2000	İzin verilen aşırı yüklenme	42 A
1.1 Un'de Kesme kapasitesi	40 A	Yalıtım direnci	> 10 MΩ
Bilyeli termo sıcaklık	125 °C (aktif parçalar) - 80 °C (pasif parçalar)		



DIMENSIONAL



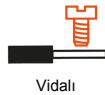
TECHNICAL SYMBOLOGY

IP

IP44

IK

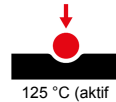
IK08



Vıdalı

GWT

850 °C (aktif parçalar) - 650 °C (pasif parçalar)



125 °C (aktif parçalar) - 80 °C (pasif parçalar)

STANDARDS/APPROVALS



GEWISS S.p.A. Via A. Volta, 1
24069 Cenate Sotto - Bergamo - Italy
tel. +39 035 94 61 11 fax +39 035 94 69 09

www.gewiss.com
sat@gewiss.com
Last update 18/05/2021

Data, measures, designs and pictures are shown only as informative purposes, and could be changed without previous notice