

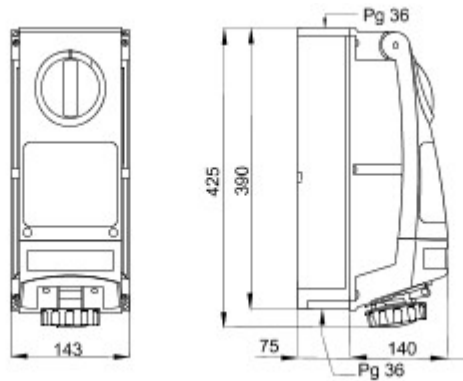


A product range comprising industrial-type socket-outlets conforming to IEC 60309 Standard, with rotary switch mechanical interlock for individual or group applications on modular bases. The robustness of the products and their resistance to the main chemical and atmospheric agents, together with the high IP66 degree of protection, mean they can be installed in tough environments with critical atmospheric, chemical and mechanical (accidental impact) conditions.

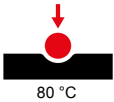
kartuş Sigorta tipi	Ø 22x58 mm	Tip	Dikey
Bilyeli termo sıcaklık	80 °C	Impact resistance at -20 °C	20 J
IP derecesi	IP66	Kutup adedi	3P+N+T
Direnç dayanıklı	> IK10	Frekans	50/60 Hz
Çalıştırma sıcaklığı	-25 +40 °C	Koruma	Sigorta yuvası (CBF)
montaj kutulu	Evet	Elektrokod	2222
Akkor Tel Deneyi	850 °C	Renk	Sarı
Nominal akım (A)	63	Referans h	4
Nominal voltaj	100-130 V	Kullanım tipi	Ağır iş



### DIMENSIONAL



### TECHNICAL SYMBOLOGY



**IP**

IP66

**IK**

> IK10



-25 +40 °C

**GWT**

850 °C

### STANDARDS/APPROVALS

