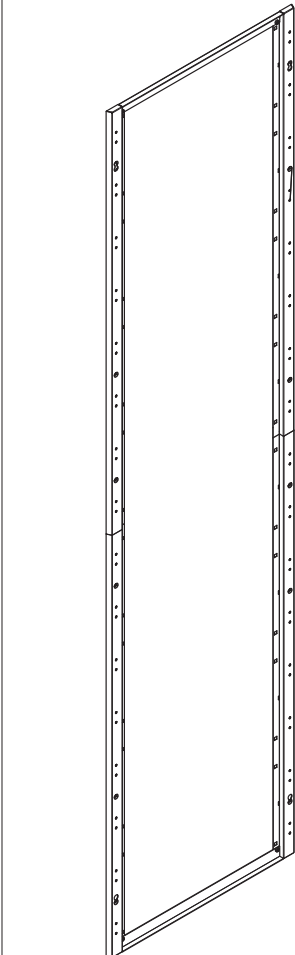
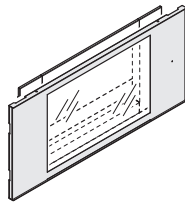


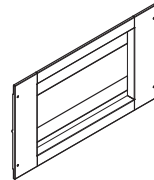
**GWN1042XB / (H 2400)**  
**GWN1043XB / (H 2700)**



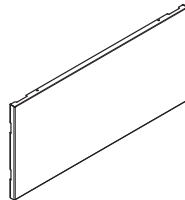
**GWN1051XB (H 300)**



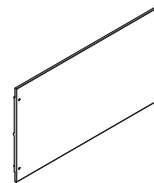
**GWN1121XB (H 300)**



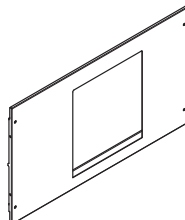
**GWN1062XB (H 300)**  
**GWN1064XB (H 600)**  
**GWN1066XB (H 900)**



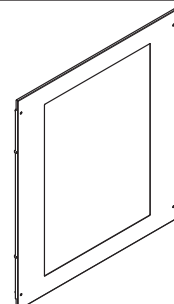
**GWN1124XB (H 300)**

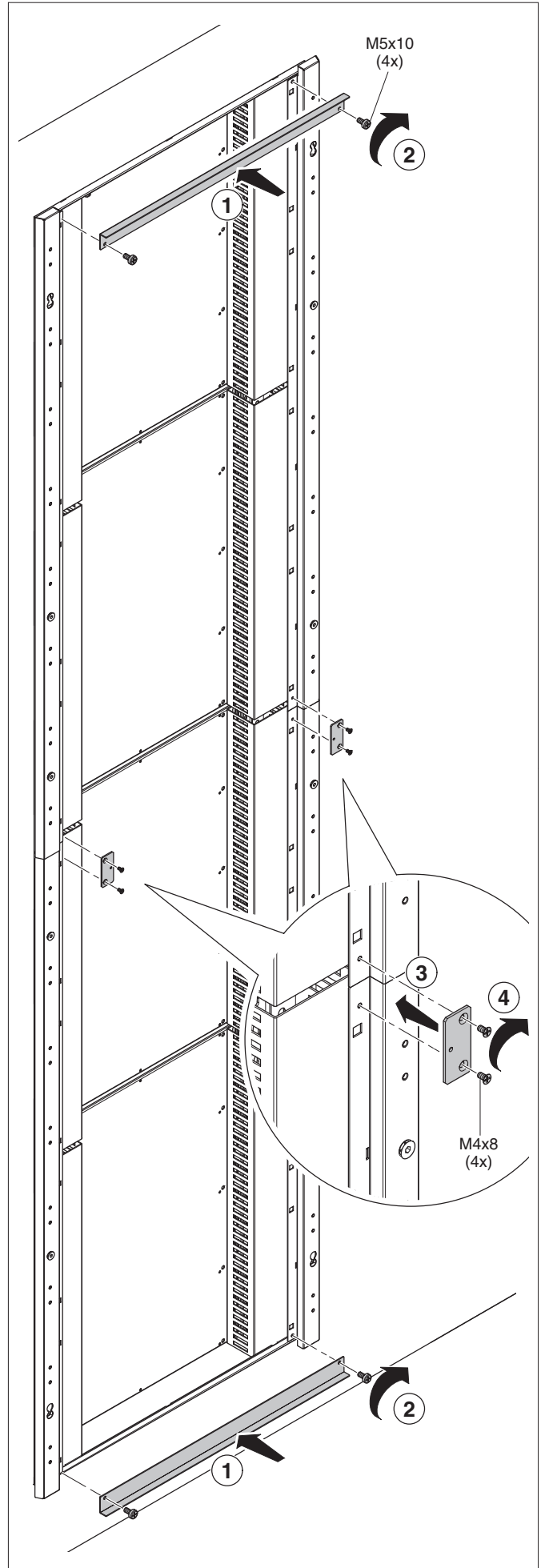
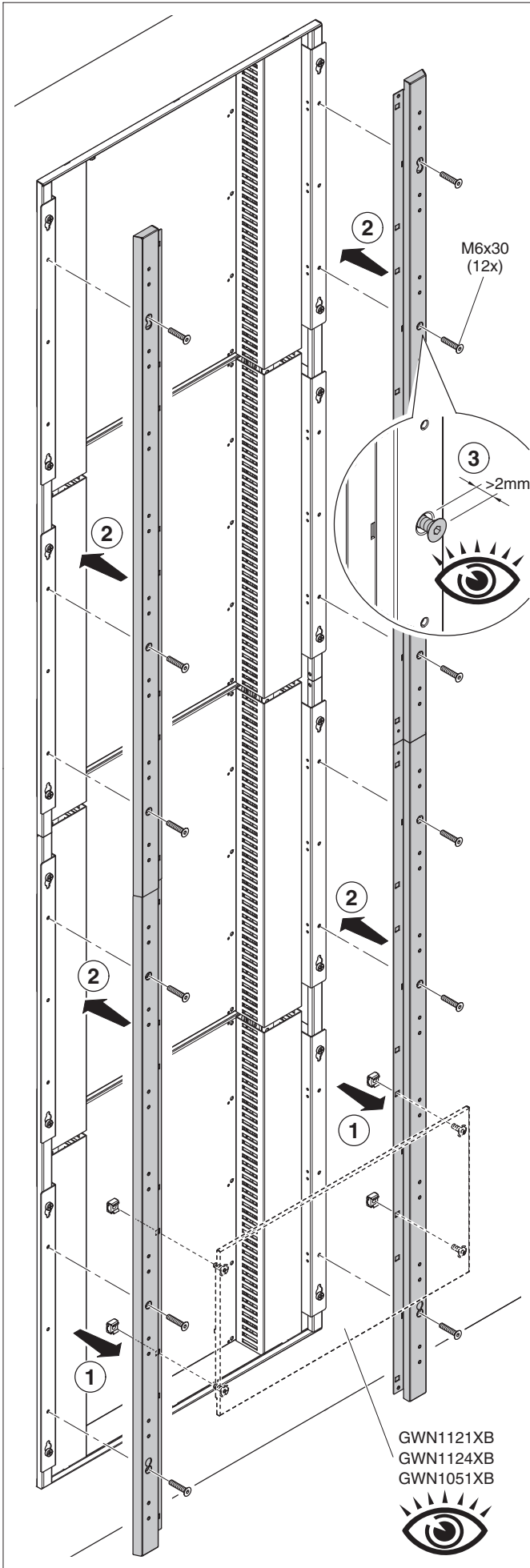


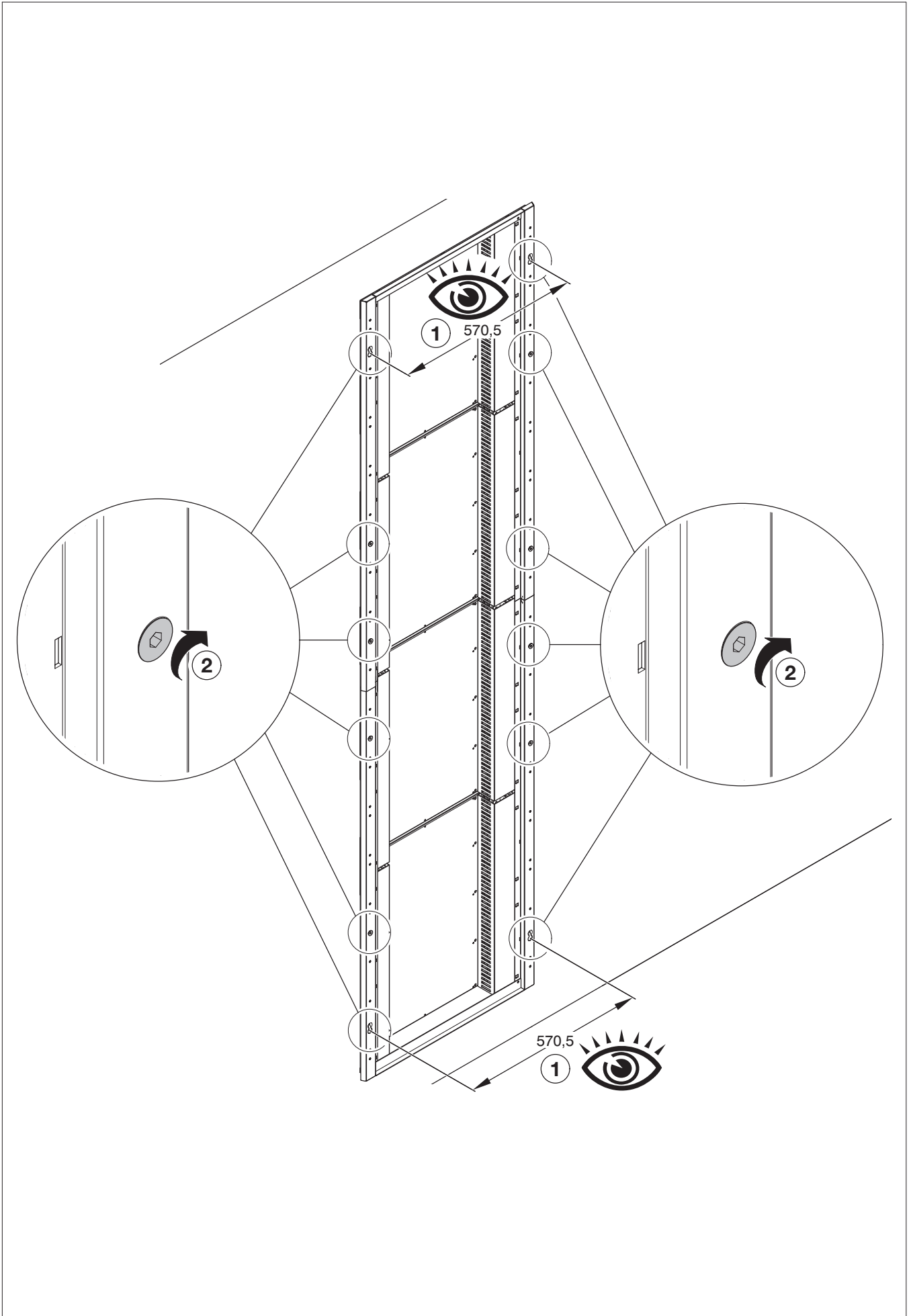
**GWN1123XB (H 300)**

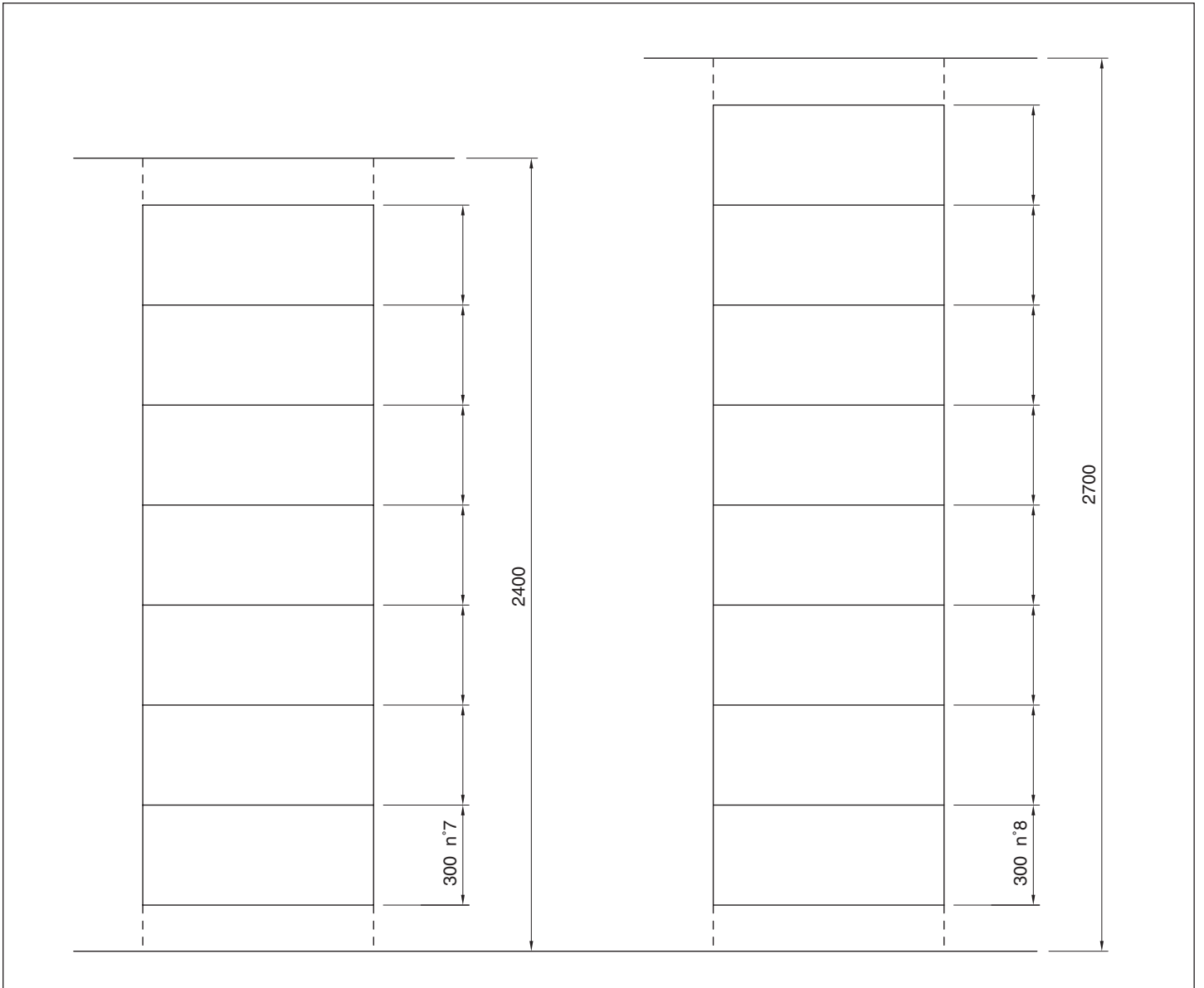
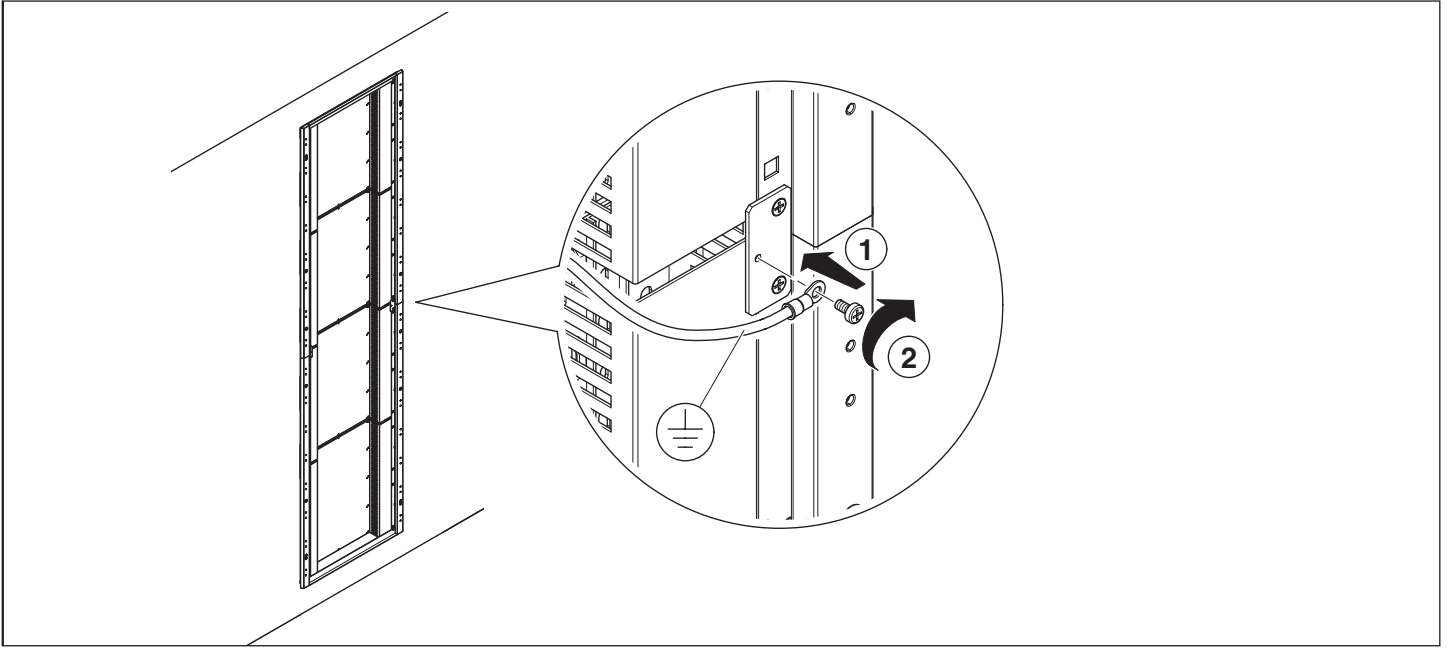


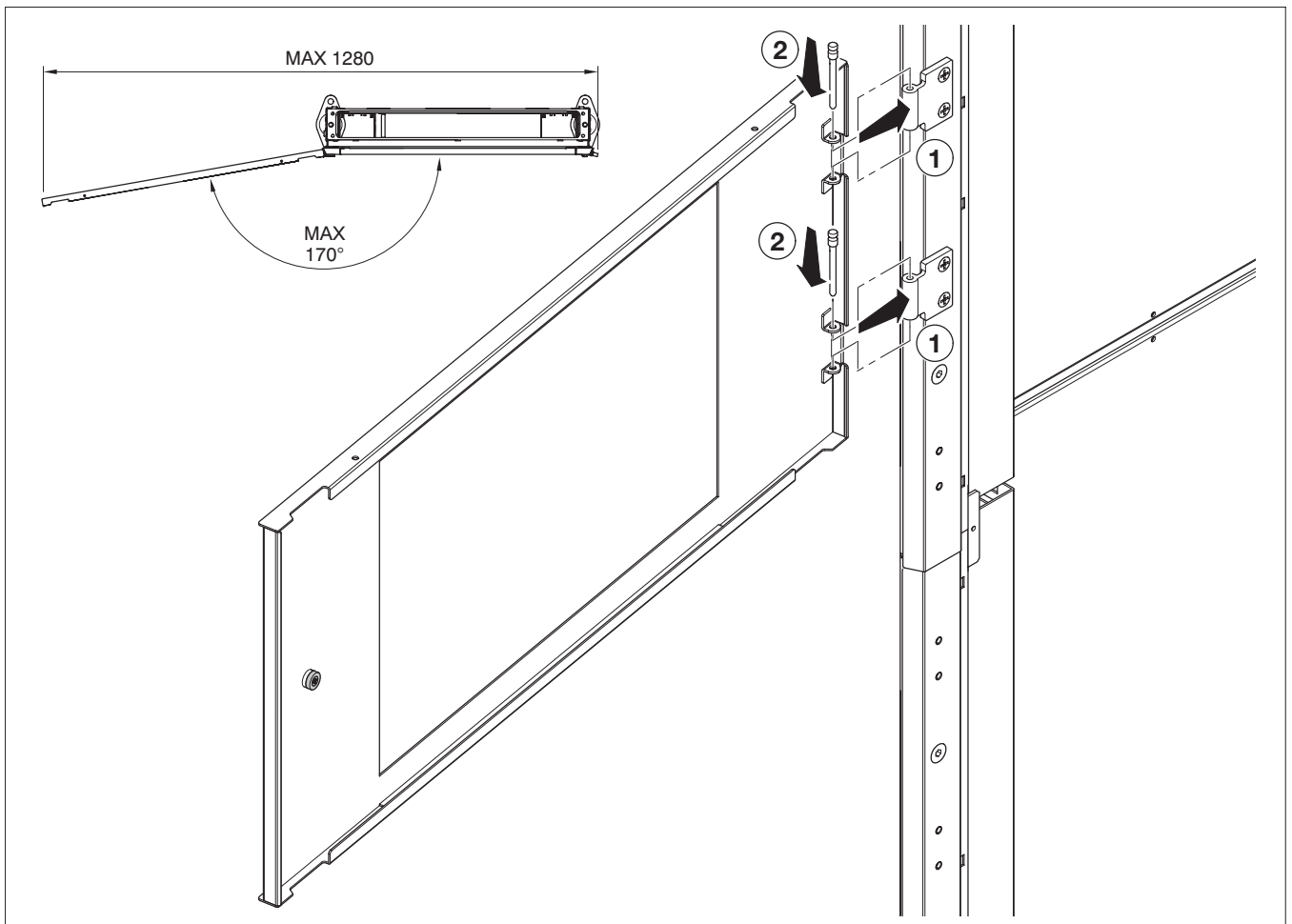
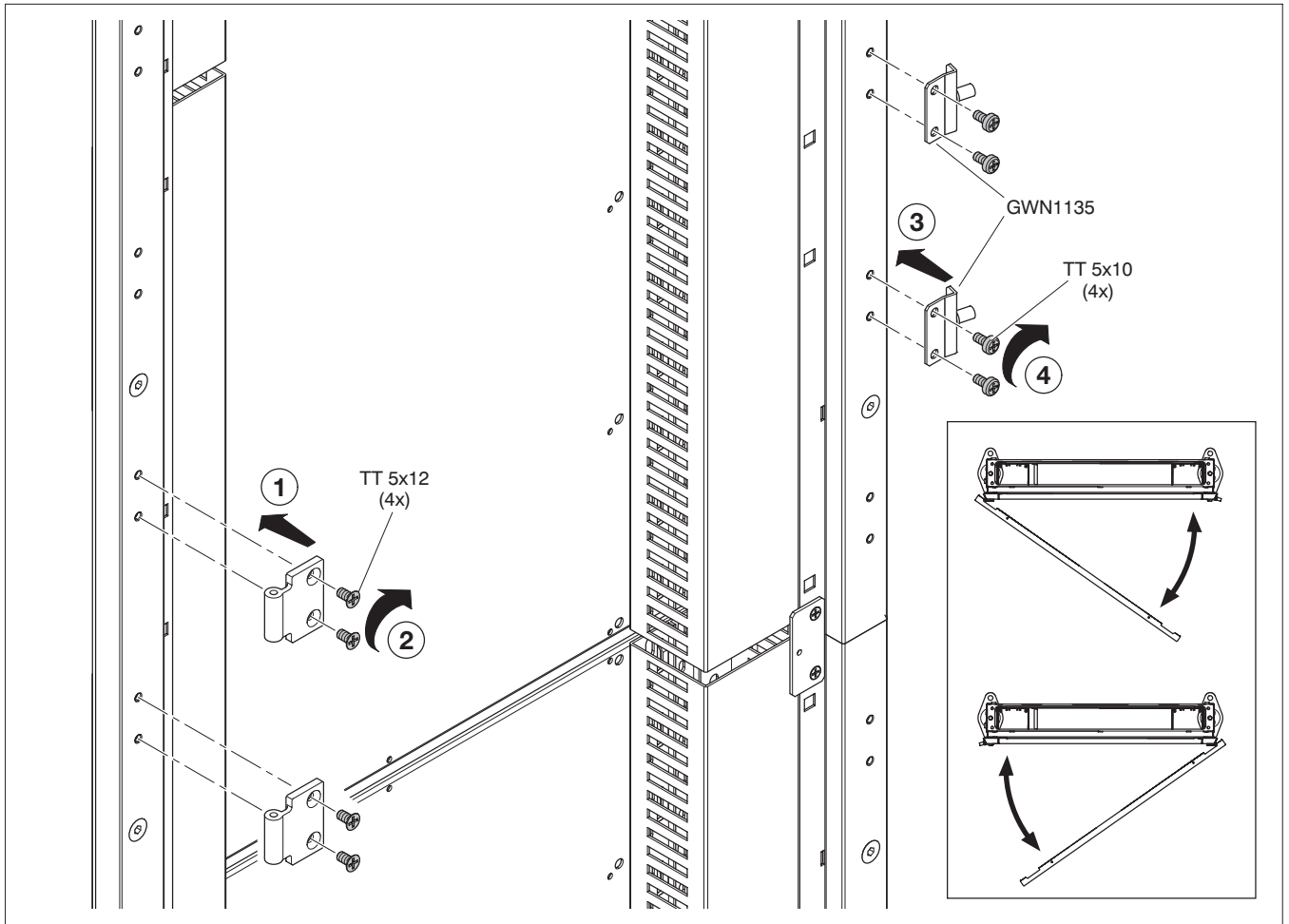
**GWN1122XB (H 600)**

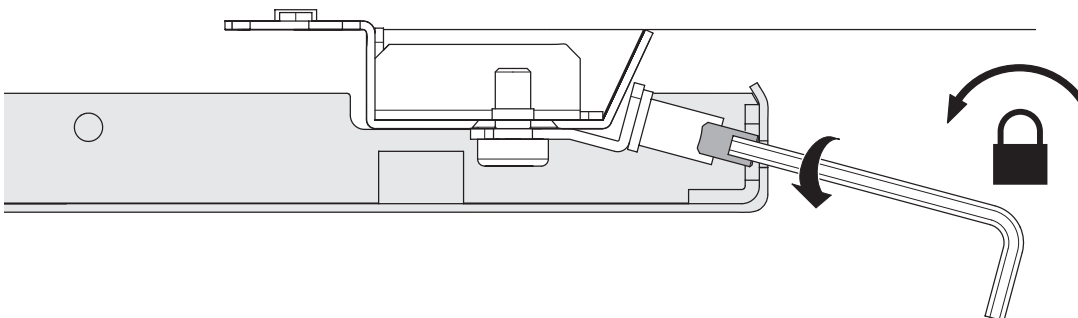
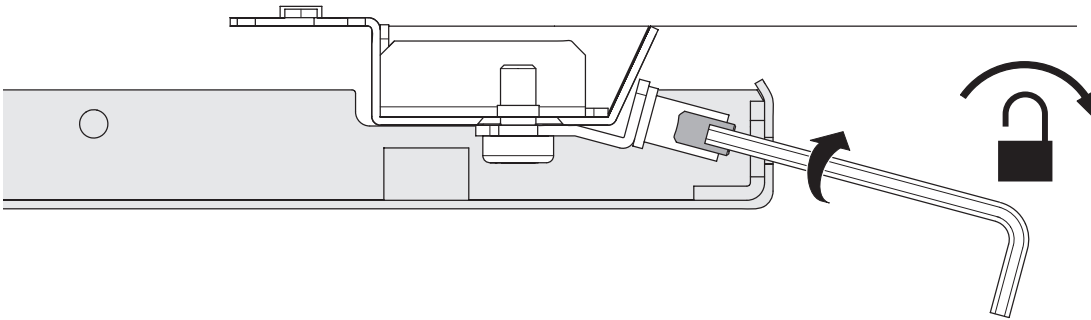
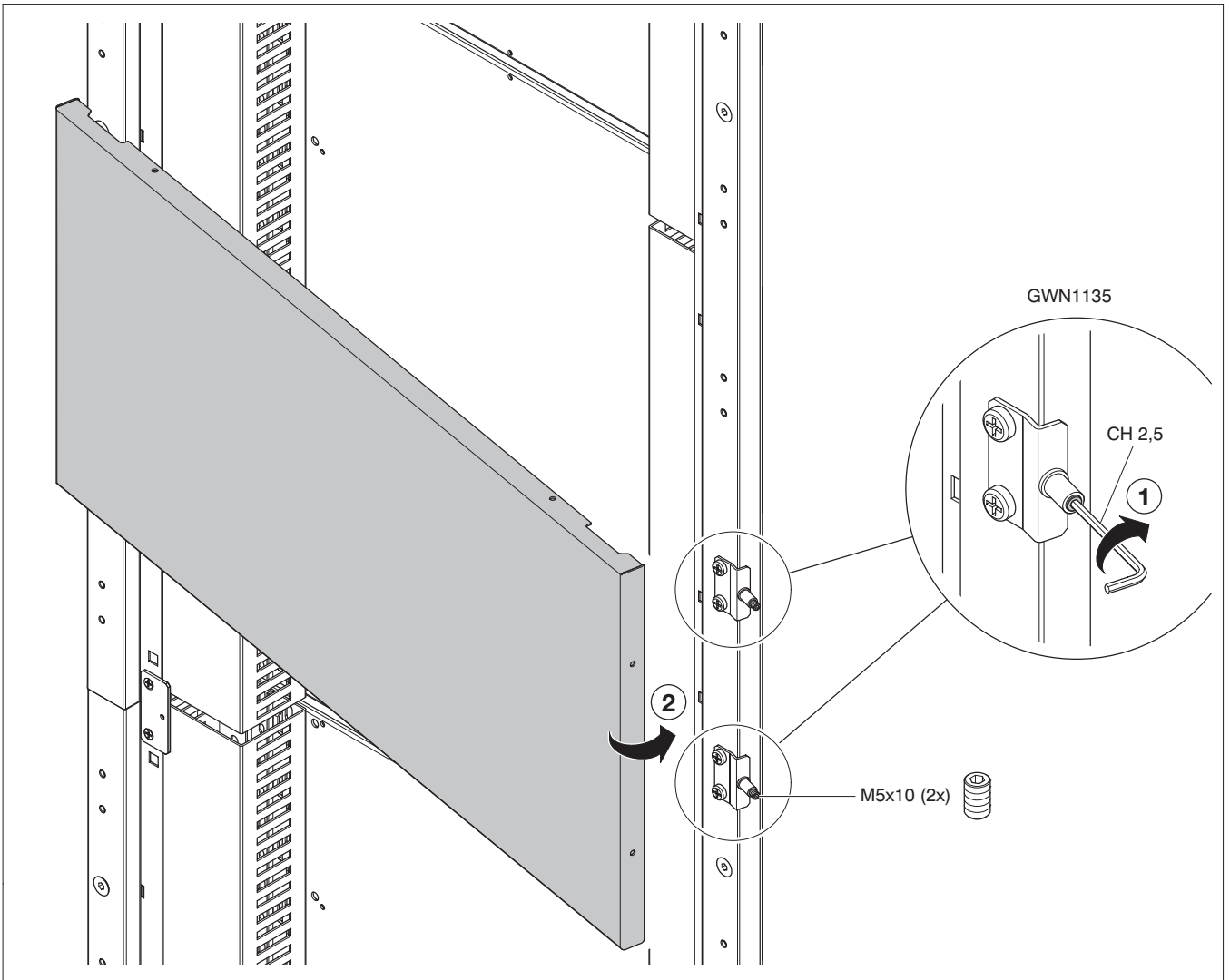


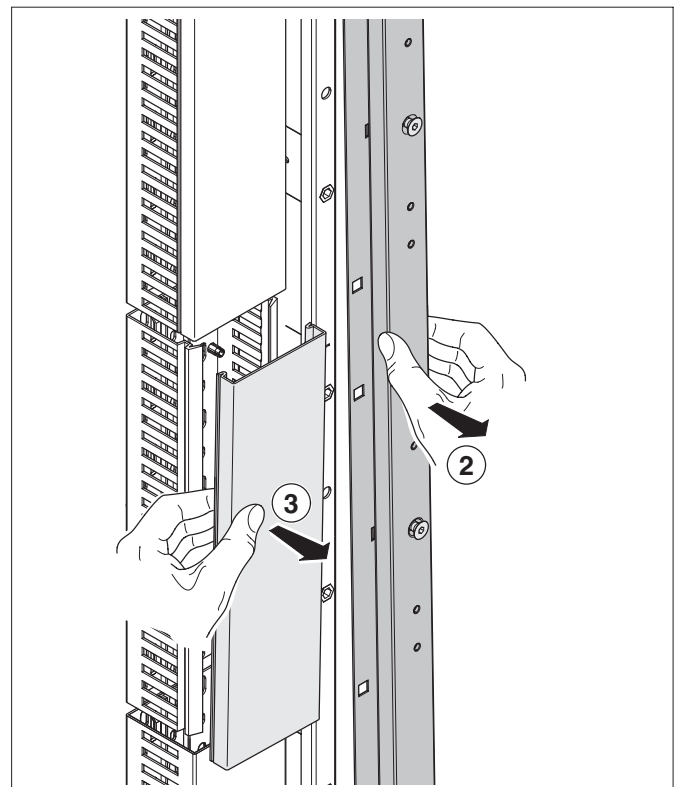
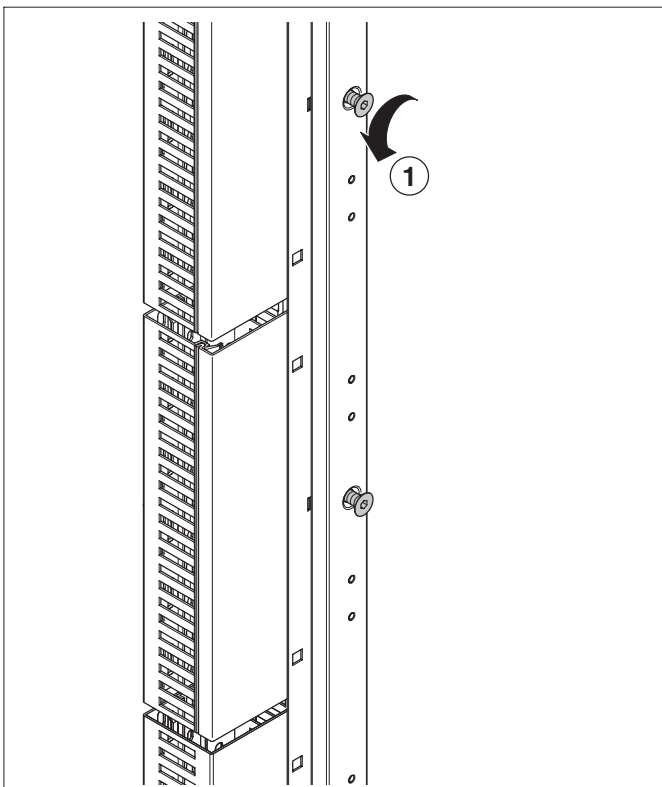
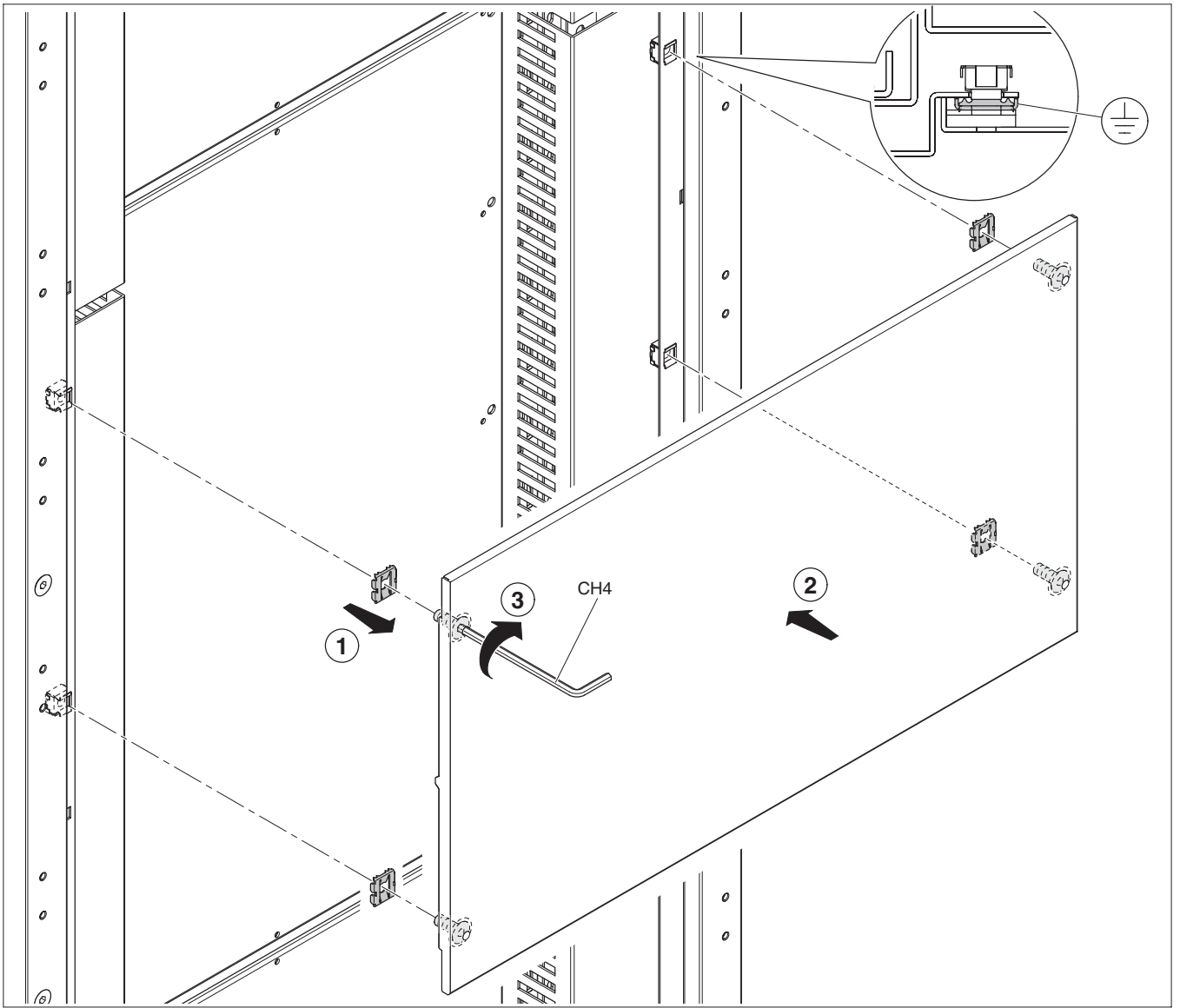


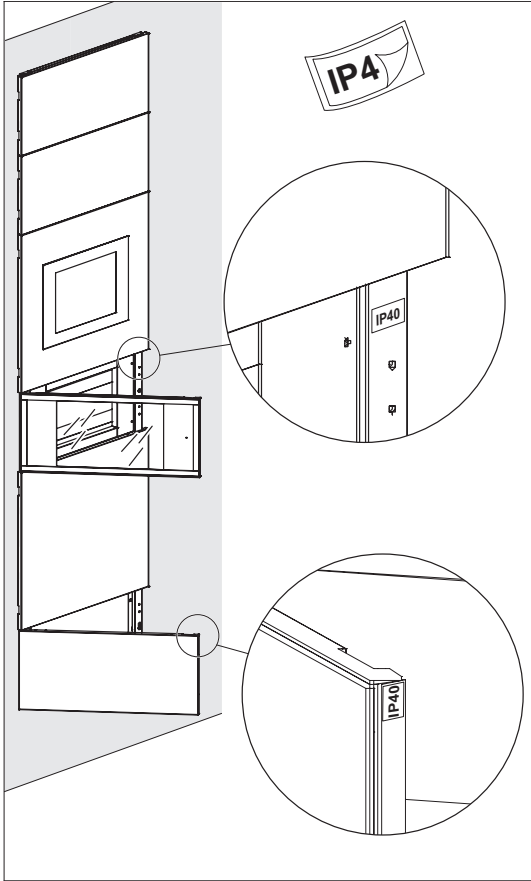




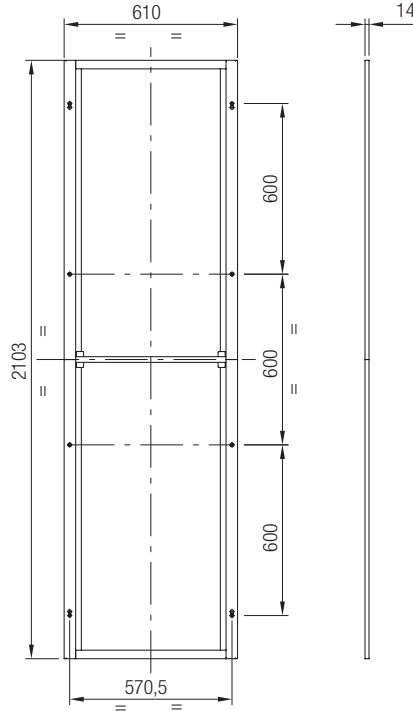




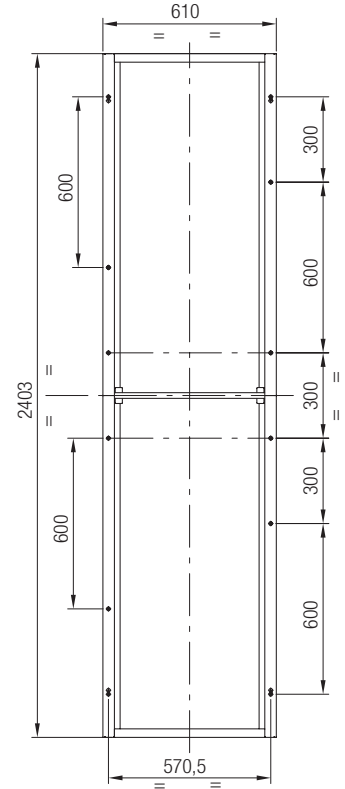




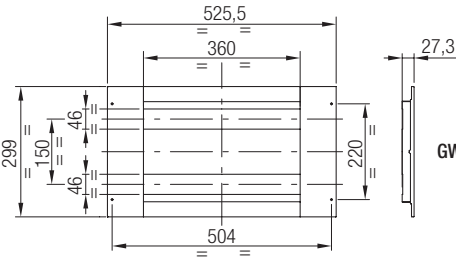
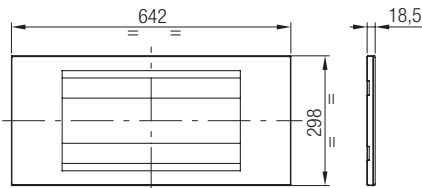
GWN1042XB / (H 2400)



GWN1043XB / (H 2700)

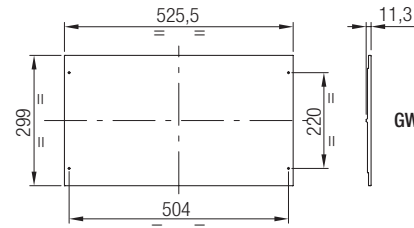
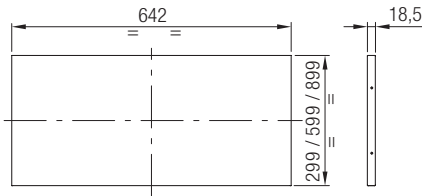


GWN1051XB / (H 300)



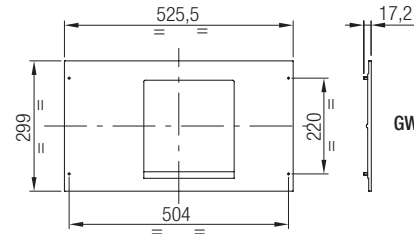
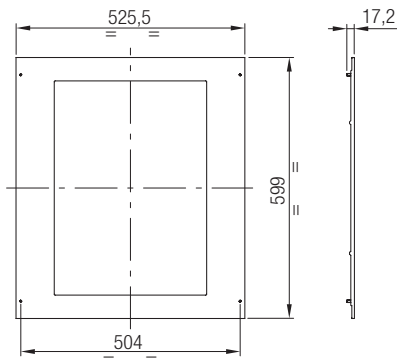
GWN1121XB / (H 300)

GWN1062XB / (H 300)  
GWN1064XB / (H 600)  
GWN1066XB / (H 900)



GWN1124XB / (H 300)

GWN1122XB / (H 600)



GWN1123XB / (H 300)

Punto di contatto indicato in adempimento ai fini delle direttive e regolamenti UE applicabili:  
Contact details according to the relevant European Directives and Regulations:  
GEWISS S.p.A. Via D.Bosatelli, 1 IT-24069 Cenate Sotto (BG) Italy tel: +39 035 946 111 E-mail: qualitymarks@gewiss.com

According to applicable UK regulations, the company responsible for placing the goods in UK market is:  
GEWISS UK LTD - Unity House, Compass Point Business Park, 9 Stocks Bridge Way, ST IVES  
Cambridgeshire, PE27 5JL, United Kingdom tel: +44 1954 712757 E-mail: gewiss-uk@gewiss.com

+39 035 946 111  
8:30 - 12:30 / 14:00 - 18:00  
lunedì - venerdì / monday - friday

[www.gewiss.com](http://www.gewiss.com)

