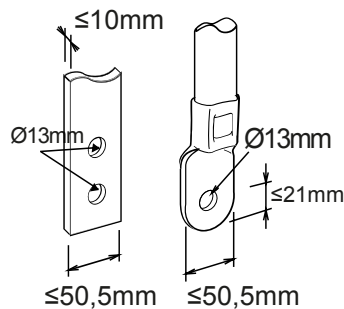




Description Interruttore non automatico scatolato
 Code MSXM 1600
 No. of poles 4P
 Rated current 1600 A
 Release -

| ELECTRICAL CHARACTERISTICS | | MECHANICAL CHARACTERISTICS | |
|---|---------------------|-------------------------------------|-------------------|
| Standard | IEC/EN 60947-2 | Execution | Fixed |
| Use category | AC-23 A, DC-22 A | DIN rail mounting | No |
| Rated frequency (Hz) | 50 / 60 | Can be equipped with motor operator | Yes |
| Rated operating voltage (Ue) | 690 V ac - 250 V dc | Compatible interlock | - |
| Rated impulse withstand voltage (Uimp) | 8 kV | Terminals supplied | Front FB Extended |
| Overtoltage category | IV | Assembly position | Any |
| Insulation voltage (Ui) | 800 V | Upline/downline power supply | Yes |
| Thermal regulation | - | Electrical life (415Vac) | 2.000 cycles |
| Magnetic regulation | - | Mechanical life | 5.000 cycles |
| Neutral protection | - | Operating temperature | -5°C +65°C |
| Total power loss | 225.28 W | Stocking temperature | -20° +65° |
| Rated short-circuit current making capacity (Icm) | 45 | Weight (kg) | 32.9 |
| Rated short-time withstand current for 0,3s (Icw) | 20 kA | Width | 280 mm |
| I _{dn} regulation | - | Height | 370 mm |
| DT regulation | - | Depth | 140 mm |
| SERVICE BREAKING CAPACITY (ICU) | | RATED BREAKING CAPACITY (ICS) | |
| 220/240Vac | - | 220/240Vac | - |
| 400/415Vac | - | 400/415Vac | - |
| 440Vac | - | 440Vac | - |
| 525Vac | - | 525Vac | - |
| 690Vac | - | 690Vac | - |
| 250Vdc | - | 250Vdc | - |

DIMENSIONAL





Product Data Sheet

GWD9456

MSX

STANDARDS/APPROVALS

GEWISS S.p.A. Via A. Volta, 1
24069 Cenate Sotto - Bergamo - Italy
tel. +39 035 94 61 11 fax +39 035 94 69 09
Company subject to the management and
coordination of Polifin S.p.A.

www.gewiss.com
sat@gewiss.com
Last update 29/04/2026

Data, measures, designs and pictures are shown
only as informative purposes,
and could be changed without previous notice