



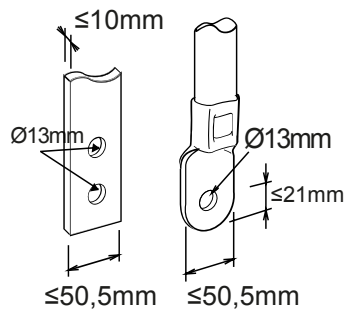
Description Interruttore non automatico scatolato  
 Code MSXM 1250  
 No. of poles 3P  
 Rated current 1250 A  
 Release -

#### ELECTRICAL CHARACTERISTICS

#### MECHANICAL CHARACTERISTICS

Standard	IEC/EN 60947-2	Execution	Fixed
Use category	AC-23 A, DC-22 A	DIN rail mounting	No
Rated frequency (Hz)	50 / 60	Can be equipped with motor operator	Yes
Rated operating voltage (Ue)	690 V ac - 250 V dc	Compatible interlock	-
Rated impulse withstand voltage (Uimp)	8 kV	Terminals supplied	Front FB Extended
Overvoltage category	IV	Assembly position	Any
Insulation voltage (Ui)	800 V	Upline/downline power supply	Yes
Thermal regulation	-	Electrical life (415Vac)	4.000 cycles
Magnetic regulation	-	Mechanical life	5.000 cycles
Neutral protection	-	Operating temperature	-5°C +65°C
Total power loss	210.93 W	Stocking temperature	-20° +65°
Rated short-circuit current making capacity (Icm)	32	Weight (kg)	18.2
Rated short-time withstand current for 0,3s (Icw)	15 kA	Width	210 mm
I <sub>dn</sub> regulation	-	Height	370 mm
DT regulation	-	Depth	120 mm
<b>SERVICE BREAKING CAPACITY (ICU)</b>		<b>RATED BREAKING CAPACITY (ICS)</b>	
220/240Vac	-	220/240Vac	-
400/415Vac	-	400/415Vac	-
440Vac	-	440Vac	-
525Vac	-	525Vac	-
690Vac	-	690Vac	-
250Vdc	-	250Vdc	-

### DIMENSIONAL





Product Data Sheet

GWD9453

MSX

STANDARDS/APPROVALS



GEWISS S.p.A. Via A. Volta, 1  
24069 Cenate Sotto - Bergamo - Italy  
tel. +39 035 94 61 11 fax +39 035 94 69 09  
Company subject to the management and  
coordination of Polifin S.p.A.

[www.gewiss.com](http://www.gewiss.com)  
[sat@gewiss.com](mailto:sat@gewiss.com)  
Last update 01/05/2026

Data, measures, designs and pictures are shown  
only as informative purposes,  
and could be changed without previous notice