



Description Interruttore automatico scatolato
 Code MSXE 1250
 No. of poles 3P
 Rated current 1250 A
 Release Electronic

ELECTRICAL CHARACTERISTICS

| | | | |
|---|--|-------------------------------------|--------------|
| Standard | IEC/EN 60947-2 | Execution | Fixed |
| Use category | B | DIN rail mounting | No |
| Rated frequency (Hz) | 50 / 60 | Can be equipped with motor operator | Yes |
| Rated operating voltage (Ue) | 690 Vac | Compatible interlock | - |
| Rated impulse withstand voltage (Uimp) | 8 kV | Terminals supplied | Rear RC |
| Overvoltage category | IV | Assembly position | Any |
| Insulation voltage (Ui) | 800 V | Upline/downline power supply | Yes |
| Thermal regulation | 0,4 - 0,5 - 0,63 - 0,8 - 0,9 - 0,95 - 1 x In | Electrical life (415Vac) | 4.000 cycles |
| Magnetic regulation | Electronic LSI | Mechanical life | 5.000 cycles |
| Neutral protection | - | Operating temperature | -5°C +65°C |
| Total power loss | 210.93 W | Stocking temperature | -20° +65° |
| Rated short-circuit current making capacity (Icm) | - | Weight (kg) | 19.8 |
| Rated short-time withstand current for 0,3s (Icw) | 15 kA | Width | 210 mm |
| I _{dn} regulation | - | Height | 370 mm |
| DT regulation | - | Depth | 120 mm |

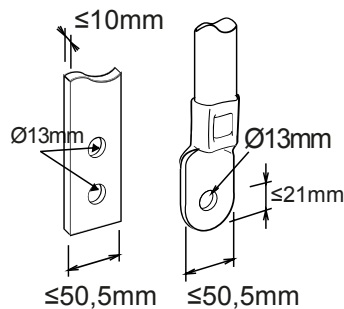
MECHANICAL CHARACTERISTICS

SERVICE BREAKING CAPACITY (ICU)

| | | | |
|------------|-------|------------|-------|
| 220/240Vac | 85 kA | 220/240Vac | 65 kA |
| 400/415Vac | 50 kA | 400/415Vac | 38 kA |
| 440Vac | 45 kA | 440Vac | 34 kA |
| 525Vac | 30 kA | 525Vac | 23 kA |
| 690Vac | 20 kA | 690Vac | 15 kA |
| 250Vdc | - | 250Vdc | - |

RATED BREAKING CAPACITY (ICS)

DIMENSIONAL





Product Data Sheet

GWD9412

MSX

STANDARDS/APPROVALS

GEWISS S.p.A. Via A. Volta, 1
24069 Cenate Sotto - Bergamo - Italy
tel. +39 035 94 61 11 fax +39 035 94 69 09
Company subject to the management and
coordination of Polifin S.p.A.

www.gewiss.com
sat@gewiss.com
Last update 29/04/2026

Data, measures, designs and pictures are shown
only as informative purposes,
and could be changed without previous notice