



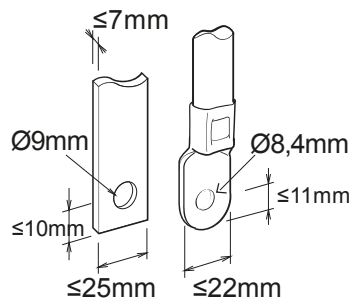
Description Interruttore automatico scatolato
 Code MSX 160
 No. of poles 3P+N
 Rated current 160 A
 Release Electromechanic

ELECTRICAL CHARACTERISTICS

MECHANICAL CHARACTERISTICS

Standard	IEC/EN 60947-2	Execution	Fixed - Plug-in
Use category	A	DIN rail mounting	Yes, by means of accessory
Rated frequency (Hz)	50 / 60	Can be equipped with motor operator	Yes
Rated operating voltage (Ue)	690 V ac - 250 V dc	Compatible interlock	Lever - Cable
Rated impulse withstand voltage (Uimp)	8 kV	Terminals supplied	Front FC
Overvoltage category	IV	Assembly position	Any
Insulation voltage (Ui)	800 V	Upline/downline power supply	Yes
Thermal regulation	0,63 - 0,8 - 1 x In	Electrical life (415Vac)	20.000 cycles
Magnetic regulation	6 - 8 - 10 - 13 x In	Mechanical life	30.000 cycles
Neutral protection	Not protected	Operating temperature	-5°C +65°C
Total power loss	48.12 W	Stocking temperature	-20° +65°
Rated short-circuit current making capacity (Icm)	-	Weight (kg)	1.9
Rated short-time withstand current for 0,3s (Icw)	-	Width	140 mm
I _{dn} regulation	-	Height	165 mm
DT regulation	-	Depth	68 mm
SERVICE BREAKING CAPACITY (ICU)		RATED BREAKING CAPACITY (ICS)	
220/240Vac	65 kA	220/240Vac	65 kA
400/415Vac	36 kA	400/415Vac	36 kA
440Vac	25 kA	440Vac	25 kA
525Vac	25 kA	525Vac	25 kA
690Vac	7,5 kA	690Vac	7,5 kA
250Vdc	40 kA	250Vdc	40 kA

DIMENSIONAL





Product Data Sheet

GWD9137

MSX

STANDARDS/APPROVALS



GEWISS S.p.A. Via A. Volta, 1
24069 Cenate Sotto - Bergamo - Italy
tel. +39 035 94 61 11 fax +39 035 94 69 09
Company subject to the management and
coordination of Polifin S.p.A.

www.gewiss.com
sat@gewiss.com
Last update 03/05/2026

Data, measures, designs and pictures are shown
only as informative purposes,
and could be changed without previous notice