



Description Interruttore automatico scatolato

Code MSX 250

No. of poles 3P

Rated current 250 A

Release Electromechanic

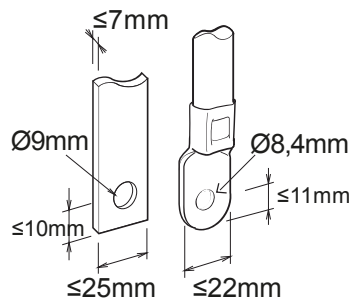
#### ELECTRICAL CHARACTERISTICS

Standard	IEC/EN 60947-2	Execution	Fixed - Plug-in
Use category	A	DIN rail mounting	Yes, by means of accessory
Rated frequency (Hz)	50 / 60	Can be equipped with motor operator	Yes
Rated operating voltage (Ue)	690 V ac - 250 V dc	Compatible interlock	Lever - Cable
Rated impulse withstand voltage (Uimp)	8 kV	Terminals supplied	Front FC
Overvoltage category	IV	Assembly position	Any
Insulation voltage (Ui)	800 V	Upline/downline power supply	Yes
Thermal regulation	0,63 - 0,8 - 1 x In	Electrical life (415Vac)	10.000 cycles
Magnetic regulation	6 - 8 - 10 x In	Mechanical life	30.000 cycles
Neutral protection	-	Operating temperature	-5°C +65°C
Total power loss	48.75 W	Stocking temperature	-20° +65°
Rated short-circuit current making capacity (Icm)	-	Weight (kg)	1.5
Rated short-time withstand current for 0,3s (Icw)	-	Width	105 mm
I <sub>dn</sub> regulation	-	Height	165 mm
DT regulation	-	Depth	68 mm

#### SERVICE BREAKING CAPACITY (ICU)

	65 kA	220/240Vac	65 kA
220/240Vac	65 kA	220/240Vac	65 kA
400/415Vac	36 kA	400/415Vac	36 kA
440Vac	25 kA	440Vac	25 kA
525Vac	25 kA	525Vac	25 kA
690Vac	7,5 kA	690Vac	7,5 kA
250Vdc	40 kA	250Vdc	40 kA

#### DIMENSIONAL





Product Data Sheet

GWD9128

MSX

## STANDARDS/APPROVALS

GEWISS S.p.A. Via A. Volta, 1  
24069 Cenate Sotto - Bergamo - Italy  
tel. +39 035 94 61 11 fax +39 035 94 69 09  
Company subject to the management and  
coordination of Polifin S.p.A.

[www.gewiss.com](http://www.gewiss.com)  
[sat@gewiss.com](mailto:sat@gewiss.com)  
Last update 29/04/2026

Data, measures, designs and pictures are shown  
only as informative purposes,  
and could be changed without previous notice