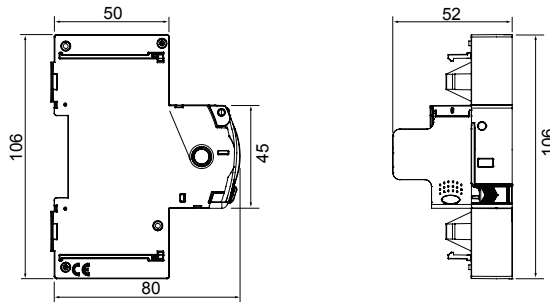




Description Automatic reclosing device
 Code ReStart Rm PRO 2P
 Suitable for RCBO's MDC - 1P+N/2P - 30 mA
 Rated voltage AC 230 V
 Rated current 6 - 10 - 13 - 16 - 20 -25 - 32 A
 No. modules 1
 Standard IEC EN 63024
 Rated frequency (Hz) 50 - 60 Hz

Distribution system	TT - TN-S	Rated non-operating resistance between live parts and earth (Rdo)	8 kΩ
Insulation voltage (Ui)	500 V	Rated operating resistance between live parts and earth (Rd)	16 kΩ
Rated impulse withstand voltage (Uimp)	4 kV	Maximum operating frequency	30 oper./h
Overvoltage category	III	Mechanical endurance	4000
Dielectric strength test voltage between pole and earth	2500 V ac for 1 minute	Type of residual current protection	AC - A - A[IR] - F
Rated residual operating current	30 mA	Operating temperature	-5 +60 °C
Stocking temperature	-40°C ÷ +70°C	Automatic reclosure for untimely tripping	Yes
Earth failure test	Yes	Continuous system monitoring	Yes
Completeable with	GWD0951 Auxiliary contact - GW90992 RS485 BUS Module	Number of poles	2P
Electrocod	1414		

DIMENSIONAL



STANDARDS/APPROVALS



GEWISS S.p.A. Via A. Volta, 1
 24069 Cenate Sotto - Bergamo - Italy
 tel. +39 035 94 61 11 fax +39 035 94 69 09
 Company subject to the management and
 coordination of Polifin S.p.A.

www.gewiss.com
 sat@gewiss.com
 Last update 29/04/2026

Data, measures, designs and pictures are shown
 only as informative purposes,
 and could be changed without previous notice