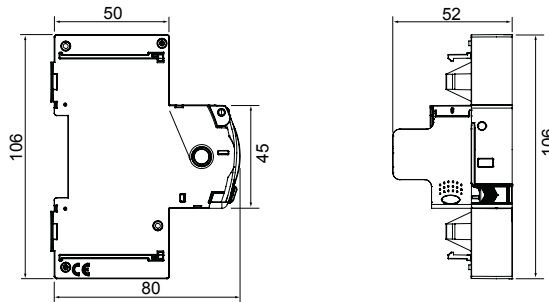




Description Automatic reclosing device  
 Code ReStart Rd 2P  
 Suitable for IDP RCCBs - 2P up to 80 A - 30 mA  
 Rated voltage AC 230 V  
 Rated current 25 - 40 - 63 - 80 - 100 A  
 Rated current 0 A  
 No. modules 1  
 Standard IEC EN 63024

Rated frequency (Hz)	50 - 60 Hz	Distribution system	TT - TN-S
Rated non-operating resistance between live parts and earth (Rdo)	8 kΩ	Insulation voltage (Ui)	500 V
Rated operating resistance between live parts and earth (Rd)	16 kΩ	Rated impulse withstand voltage (Uimp)	4 kV
Maximum operating frequency	30 oper./h	Overvoltage category	III
Mechanical endurance	4000	Dielectric strength test voltage between pole and earth	2500 V ac for 1 minute
Type of residual current protection	AC - A - A[IR] - F	Rated residual operating current	30 mA
Operating temperature	-5°C ÷ +40°C	Stocking temperature	-40°C ÷ +70°C
Automatic reclosure for untimely tripping	Yes	Earth failure test	Yes
Continuous system monitoring	No	Number of poles	2P
Electrocod	1414		

### DIMENSIONAL



### STANDARDS/APPROVALS



GEWISS S.p.A. Via A. Volta, 1  
 24069 Cenate Sotto - Bergamo - Italy  
 tel. +39 035 94 61 11 fax +39 035 94 69 09  
 Company subject to the management and  
 coordination of Polfin S.p.A.

www.gewiss.com  
 sat@gewiss.com  
 Last update 29/04/2026

Data, measures, designs and pictures are shown  
 only as informative purposes,  
 and could be changed without previous notice