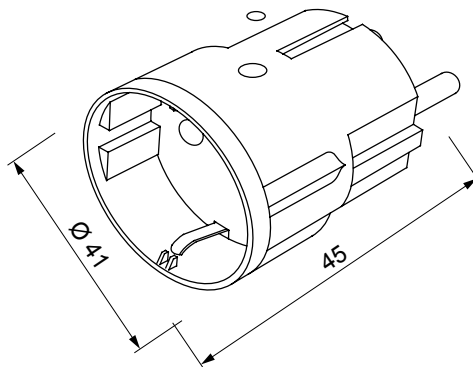




Wirelessly connected device with Zigbee protocol from the ChoruSmart system. It can be used with Home Gateway for "CONNECTED SMART HOME" solutions and with Smart Gateway for "HOME AND BUILDING PRO" solutions. Ideal for residential and small commercial offices, new builds and renovations. Zigbee technology is a secure and reliable technology in which data is encrypted and every node within the network ensures reachability across all devices (mesh network). This device can also be used without Home Gateway and Smart Gateway (manual configuration with dip-switch or via IoT Configurator), in which case supervision via the app is not possible.

|                                      |                        |                           |              |
|--------------------------------------|------------------------|---------------------------|--------------|
| Category                             | Smart plug             | Colour                    | White        |
| Communication protocol               | Zigbee (IEEE 802.15.4) | Max current supplied      | 10 A         |
| Output power                         | 8 dBm                  | Dispersible max power (W) | 2 W          |
| Type of plug                         | 2P+E - 10 A            | Socket-outlet type        | 2P+E - 10 A  |
| Standard                             | 2014/53/EU             | IP degree                 | IP40         |
| Working temperature                  | 0 ÷ +40 °C             | Stocking temperature      | -20 ÷ +80 °C |
| Relative humidity (non-condensative) | Max 93%                | Dimensions ØxH (mm)       | 41x45        |
| Electrocod                           | 051A                   |                           |              |

### DIMENSIONAL



### TECHNICAL SYMBOLOGY

**IP**

IP40

### STANDARDS/APPROVALS

