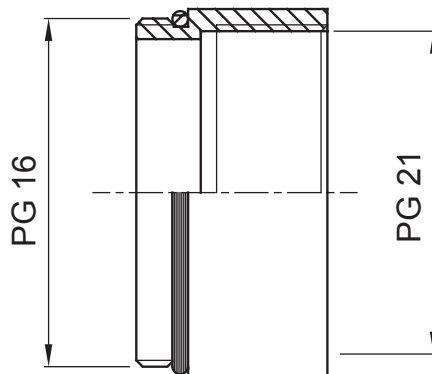




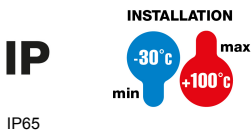
Systems of accessories for electrical installations used for residential, tertiary and industrial applications. The system consists of fasteners for pipes and cables, cable fittings, accessories for rigid pipes (RK Series) and flexible conduit (DF Series). The system include also a wide variety of cable ties (52FS Range) and terminal blocks (44 Range).

IP degree	IP65	Material	Nickel-plated brass
Description	Extension	Type of pitch	PG16-PG21
Male thread	PG16	Female thread	PG21
Operating temperature	-30 +100 °C	Electrocod	3651

DIMENSIONAL



TECHNICAL SYMBOLOGY



STANDARDS/APPROVALS

