

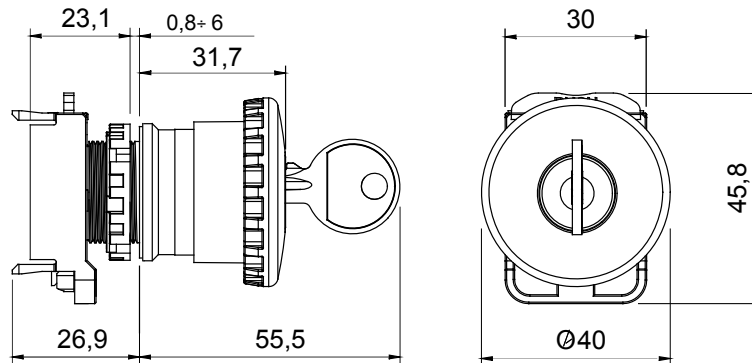


The 74 PS range is a system of push-buttons, selectors and indicators (diameter 22 mm) with a degree of protection of IP66 for creating a real interface between man and machine, whilst at the same time controlling the operating status of the drives and equipment to ensure the highest safety standards. The range includes six types of empty enclosure with between 1 and 12 gangs, and enclosures that come fitted with push-buttons and contacts.

Panel thickness	0,8 + 6 mm	Version	Panel
Functions	With holding and key	Light	No
Material	Insulating	Type	For emergency
Rated current (A)	10	Circuit breaker	Mushroom-head push button
IP degree	IP66	Mechanical resistance	100 m/s2
Maximum shock resistance	1000 m/s2	Ambient temperature	-25 +55 °C
Rated operational current AC-15 (230 V) (A)	3 A	Current in DC13 (230 V)	0,55 A

DIMENSIONAL

Panel thickness
n



TECHNICAL SYMBOLOGY

IP

IK

IP66

100 m/s2

STANDARDS/APPROVALS

