



70 RT HP is a complete offer of rotary isolator switches from 16 A to 160 A, available in boxes both in insulating material and aluminium, in control or emergency versions, compatible with the main applications for residential, tertiary and industrial contexts.  
 DC versions for photovoltaic applications are also available from 16 A to 40 A in insulating box.  
 The series is completed with versions for board from 16 A to 1000 A and for DIN rail fixing from 16 A to 63 A, which can be equipped with auxiliary contacts.  
 The devices have been designed to reduce wiring time, facilitate installation and guarantee the maximum safety and robustness even in the most demanding conditions.

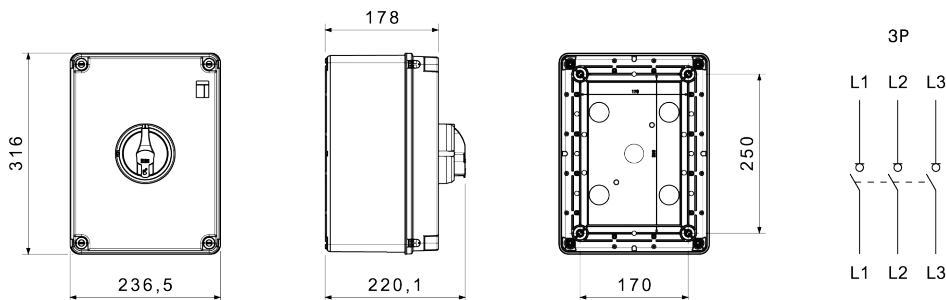
#### ELECTRICAL CHARACTERISTICS

ELECTRICAL CHARACTERISTICS		FUNCTIONAL CHARACTERISTICS	
Circuit breaker	Rotary isolator	Version	Enclosed
Rated current (A)	125	Material	Insulating
No. of poles	3P	Type	Control
Rated insulation voltage $U_i$ (Vac)	1000	Knob colour	Black
Rated operational current AC-21A (415 V) (A)	125	Lockable	Yes (max. 3 padlocks in ON and OFF)
Rated operational current AC-22A (415 V) (A)	125	IP degree	IP66/IP67/IP69
Rated operational current AC-23A (415 V) (A)	125	Mechanical resistance	IK08
Conditional short circuit current $I_{cc}$ (415 V) (kA)	10	Protection against indirect contact	Double insulation
Cable section	4-70 mm <sup>2</sup>	Operating temperature	-25 +60 °C
<b>ACCESSORIES</b>		-	
Type of accessory	Max. 4 auxiliary contacts (2 per side)	Cable entries on top	-
		Cable entries on bottom	-

#### BEHAVIOUR WITH CHEMICAL AND ATMOSPHERIC AGENTS

Saline solution	Acids		Bases		Solvents				Mineral oil	UV rays
	Concentrated	Diluted	Concentrated	Diluted	Hexane	Benzol	Acetone	Ethyl alcohol		
Resistant	Limited resistance	Resistant	Not resistant	Limited resistance	Limited resistance	Not resistant	Not resistant	Limited resistance	Resistant	Resistant

#### DIMENSIONAL



#### TECHNICAL SYMBOLOGY

**IP**

**IK**

IP66/IP67/IP69

IK08

#### STANDARDS/APPROVALS



GEWISS S.p.A. Via A. Volta, 1  
 24069 Cenate Sotto - Bergamo - Italy  
 tel. +39 035 94 61 11 fax +39 035 94 69 09  
 Company subject to the management and coordination of Polifin S.p.A.

www.gewiss.com  
 sat@gewiss.com  
 Last update 26/05/2026

Data, measures, designs and pictures are shown only as informative purposes, and could be changed without previous notice