



70 RT HP is a complete offer of rotary isolator switches from 16 A to 160 A, available in boxes both in insulating material and aluminium, in control or emergency versions, compatible with the main applications for residential, tertiary and industrial contexts.
 DC versions for photovoltaic applications are also available from 16 A to 40 A in insulating box.
 The series is completed with versions for board from 16 A to 1000 A and for DIN rail fixing from 16 A to 63 A, which can be equipped with auxiliary contacts.
 The devices have been designed to reduce wiring time, facilitate installation and guarantee the maximum safety and robustness even in the most demanding conditions.

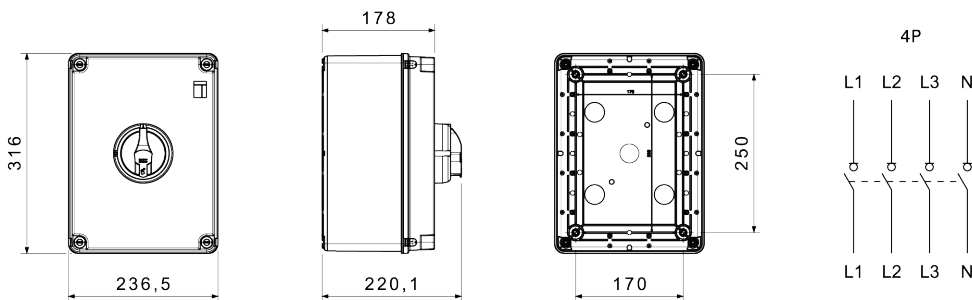
ELECTRICAL CHARACTERISTICS

ELECTRICAL CHARACTERISTICS		FUNCTIONAL CHARACTERISTICS	
Circuit breaker	Rotary isolator	Version	Enclosed
Rated current (A)	100	Material	Insulating
No. of poles	4P	Type	Control
Rated insulation voltage U_i (Vac)	1000	Knob colour	Black
Rated operational current AC-21A (415 V) (A)	100	Lockable	Yes (max. 3 padlocks in ON and OFF)
Rated operational current AC-22A (415 V) (A)	100	IP degree	IP66/IP67/IP69
Rated operational current AC-23A (415 V) (A)	100	Mechanical resistance	IK08
Conditional short circuit current I_{cc} (415 V) (kA)	10	Protection against indirect contact	Double insulation
Cable section	4-70 mm ²	Operating temperature	-25 +60 °C
ACCESSORIES		- Cable entries on top	
Type of accessory	Max. 3 auxiliary contacts (1 on 4th pole side, 2 on opposite side)	- Cable entries on bottom	

BEHAVIOUR WITH CHEMICAL AND ATMOSPHERIC AGENTS

Saline solution	Acids		Bases		Solvents				Mineral oil	UV rays
	Concentrated	Diluted	Concentrated	Diluted	Hexane	Benzol	Acetone	Ethyl alcohol		
Resistant	Limited resistance	Resistant	Not resistant	Limited resistance	Limited resistance	Not resistant	Not resistant	Limited resistance	Resistant	Resistant

DIMENSIONAL



TECHNICAL SYMBOLOGY

IP

IK

IP66/IP67/IP69

IK08

STANDARDS/APPROVALS

