



70 RT HP is a complete offer of rotary isolator switches from 16 A to 160 A, available in boxes both in insulating material and aluminium, in control or emergency versions, compatible with the main applications for residential, tertiary and industrial contexts.

DC versions for photovoltaic applications are also available from 16 A to 40 A in insulating box.

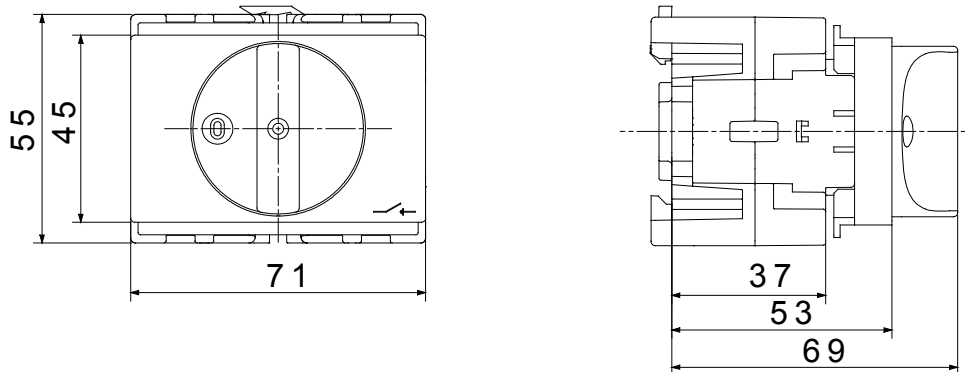
The series is completed with versions for board from 16 A to 1000 A and for DIN rail fixing from 16 A to 63 A, which can be equipped with auxiliary contacts.

The devices have been designed to reduce wiring time, facilitate installation and guarantee the maximum safety and robustness even in the most demanding conditions.

CARACTERÍSTICAS ELÉCTRICAS

CARACTERÍSTICAS ELÉCTRICAS		- Características funcionales		-
Interruptor	Interruptor rotativo	Versión		Para fijación en carril DIN
Corriente nominal (A)	16	Nº mod. EN 50022		4
Nº polos	4P	Tipología		Mando
Corriente en AC21A (415V)	16	Color maneta		Negro
Corriente en AC22A (415V) (A)	16	Bloqueable		No
Corriente en AC23A (415V) (A)	16	ACCESORIOS		-
Sección cables	1-10 mm ²	Tipo accesorios		Máx. 2 contactos auxiliares (1 por lado)

DIMENSIONAL



MARCAS/APROBACIONES

