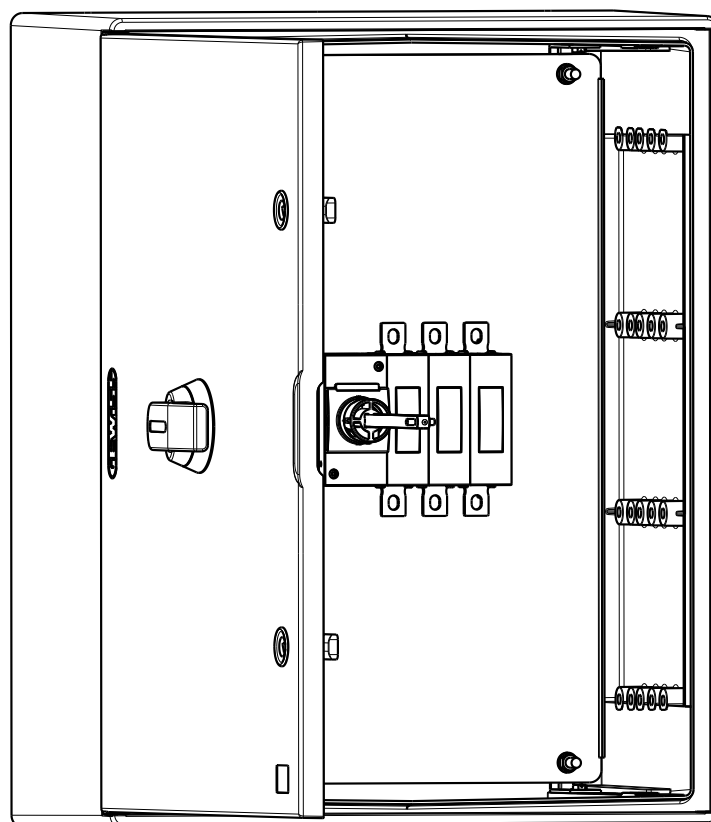



---

# High current 70 RT HP in 46 Watertight surface-mounting distribution and automation boards

## INSTALLATION MANUAL




# 70RT HP

DISTRIBUTION BOARD					N. of poles	
					3P	
Dimensions LxHxD (mm)	46 QP POLYESTER BOARDS IP66	46 QM METAL BOARDS IP55	46 QX STAINLESS STEEL BOARDS IP55	Back-mounting plate	T <sub>amb</sub> (Thermal check according CEI 17-43)	
						
515 x 650 x 250	GW 46 005 F	GW 46 035		GW 46 405	25 °C	
					30 °C	
					35 °C	
585 x 800 x 300	GW 46 006 F	GW 46 036	GW 46 056	GW 46 406	25 °C	
					30 °C	
					35 °C	
800 x 1060 x 350	GW 46 007 F	GW 46 037		GW 46 407	25 °C	
					30 °C	
					35 °C	
	Set of 4 brackets for fixing surface-mounting boards GW46446/GW46451				Shaft for board	

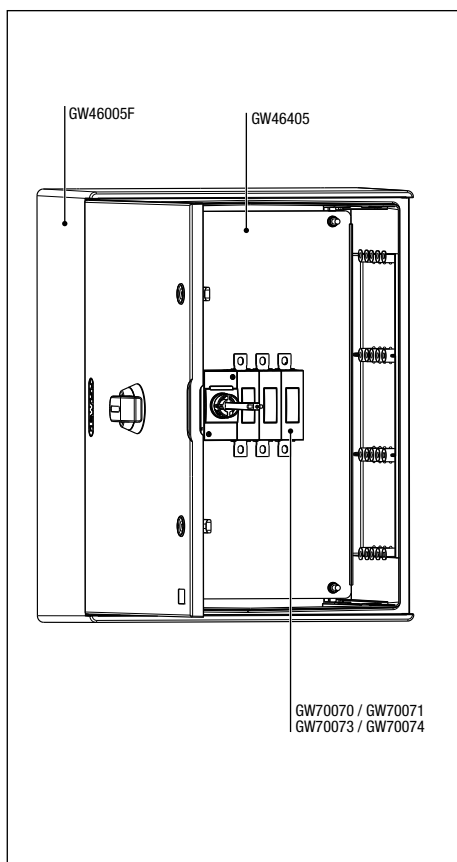
**NOTE:** The table above shows the compatibility and the suggested boards for each isolator switch at different ambient temperatures. The back mounting plate and the shaft are required. Choose the right version as suggested on the table. Refer to section “46 Watertight surface-mounting distribution and automation boards” on Gewiss catalogue for any further information related to the boards and their accessories.

**ROTARY ISOLATOR SWITCHES**

GW 70 070	GW 70 073	GW 70 076	GW 70 079	GW 70 085	GW 70 088	GW 70 091
GW 70 071	GW 70 074	GW 70 077	GW 70 080	GW 70 086	GW 70 089	GW 70 092
200A	250A	315A	400A	630A	800A	1000A
						
✓	✓					
✓	✓					
✓	✓					
✓	✓	✓	✓			
✓	✓	✓	✓			
✓	✓	✓				
✓	✓	✓	✓	✓	✓	✓
✓	✓	✓	✓	✓	✓	
✓	✓	✓	✓	✓	✓	
Included		GW 70 040			GW 70 041	

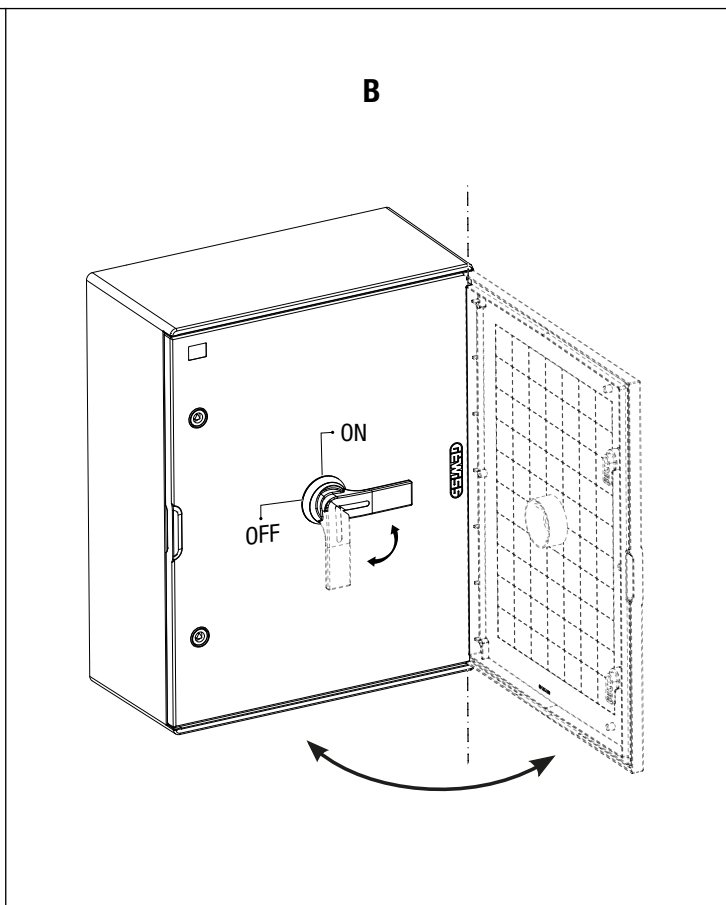
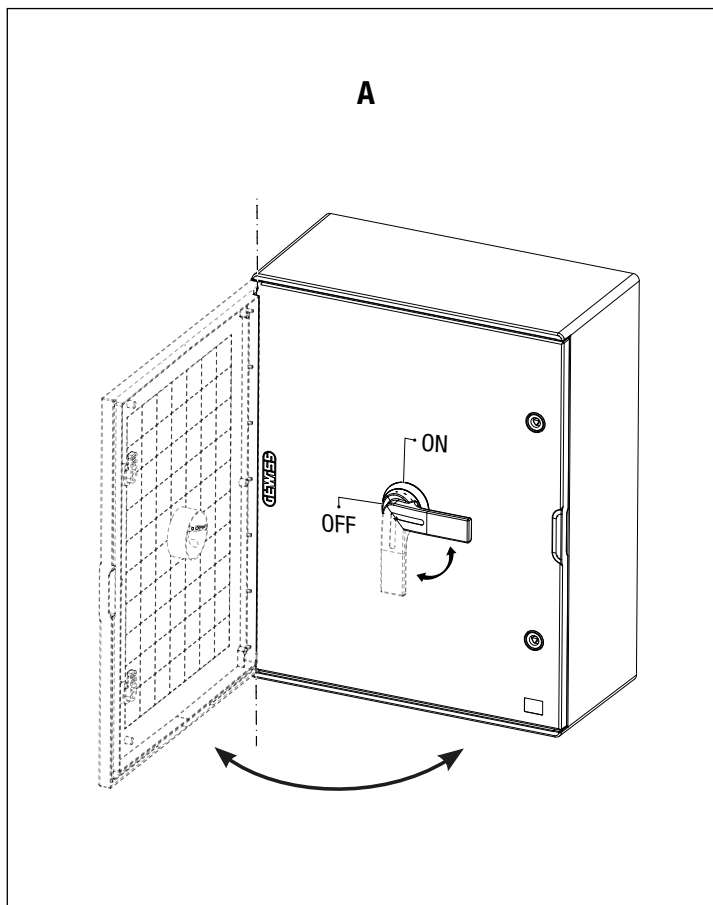
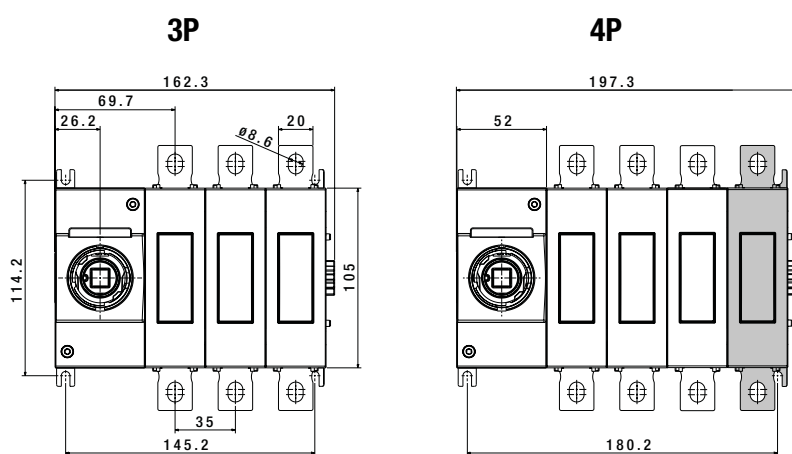
**LEGEND:**

- COMPATIBLE
- SUGGESTED



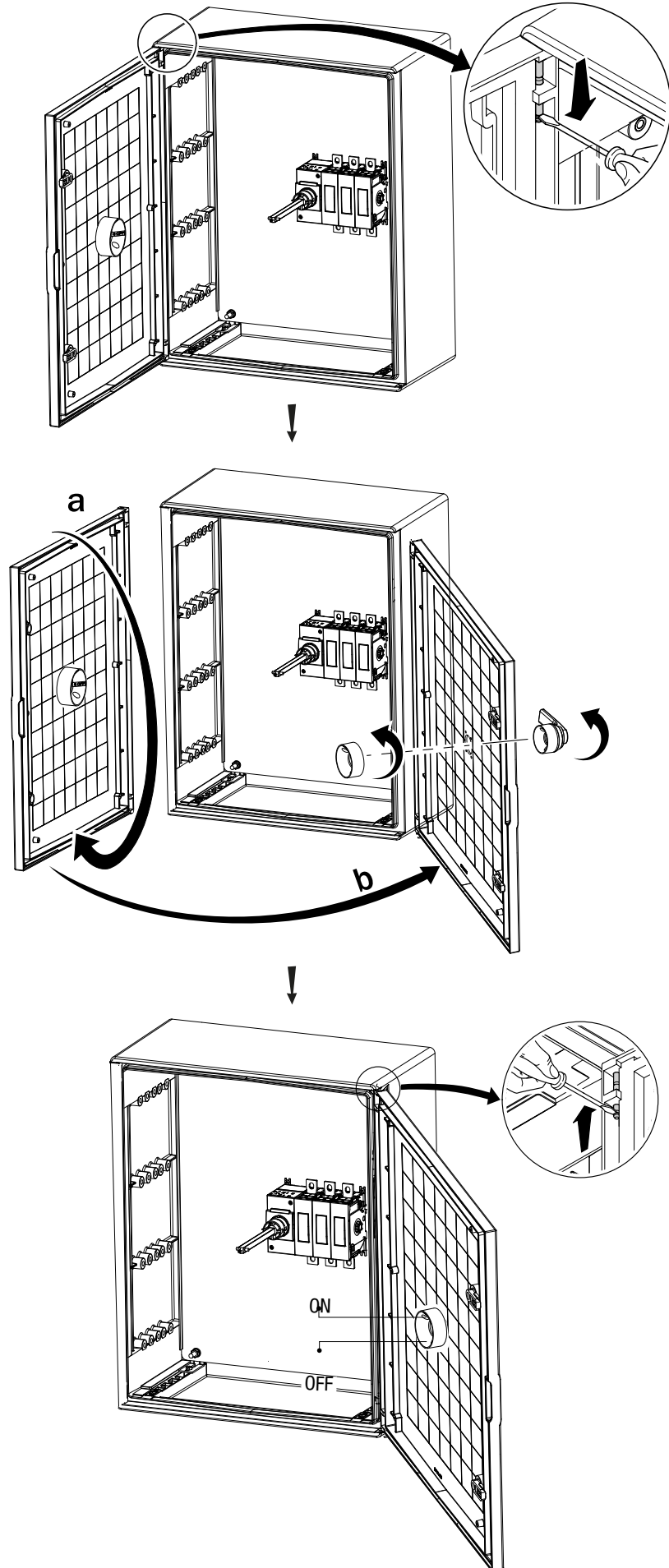
AC21A - AC22A - AC23A			
		415V~	500V~ 690V~
GW 70 070	3P	200 A	200 A(*)
GW 70 071	4P	200 A	200 A(**)
GW 70 073	3P	250 A	250 A(*)
GW 70 074	4P	250 A	250 A(**)

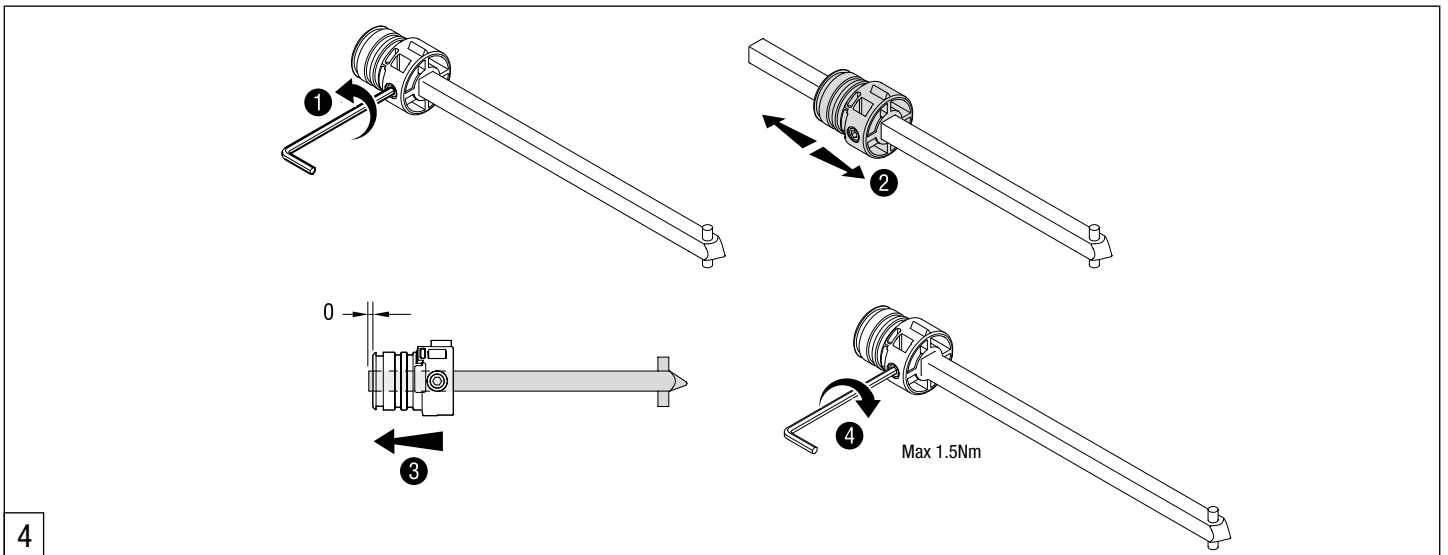
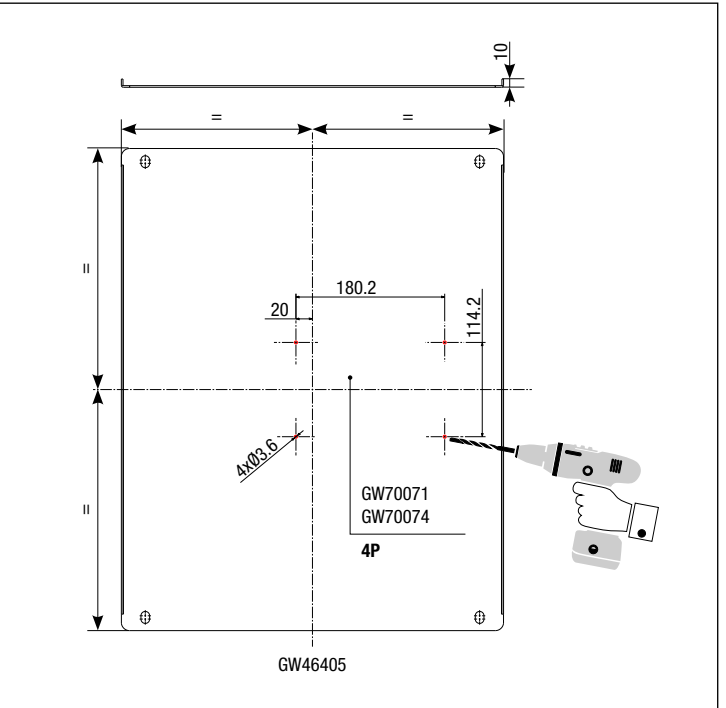
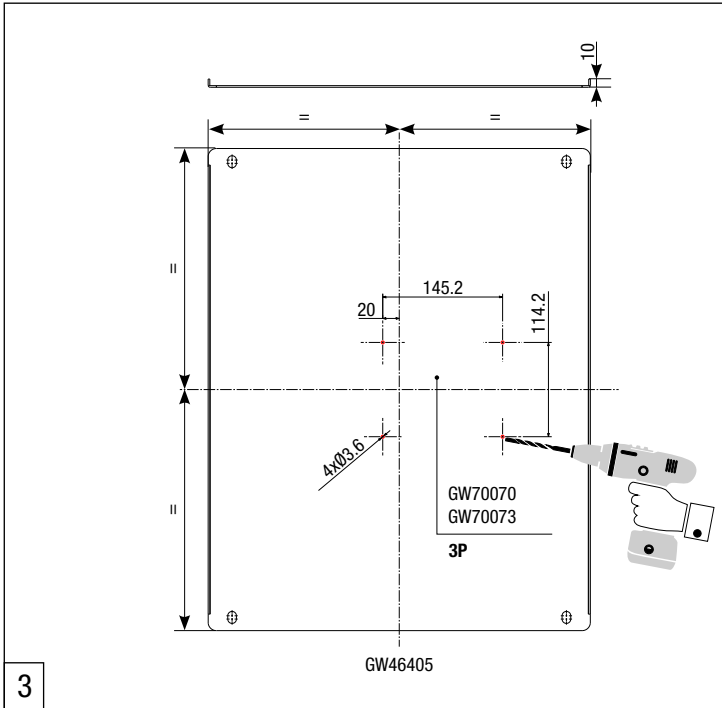
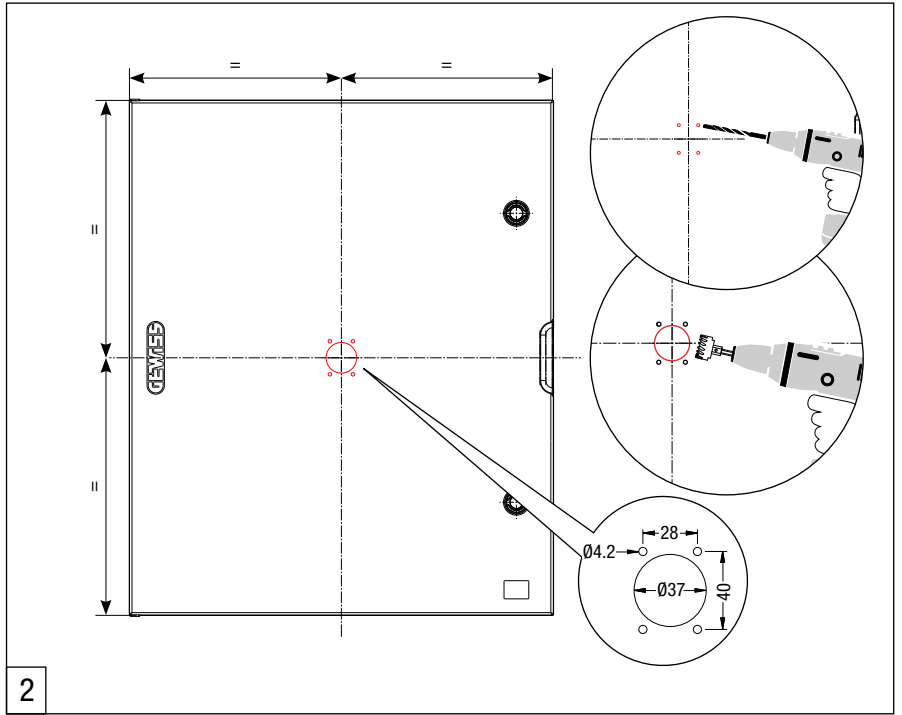
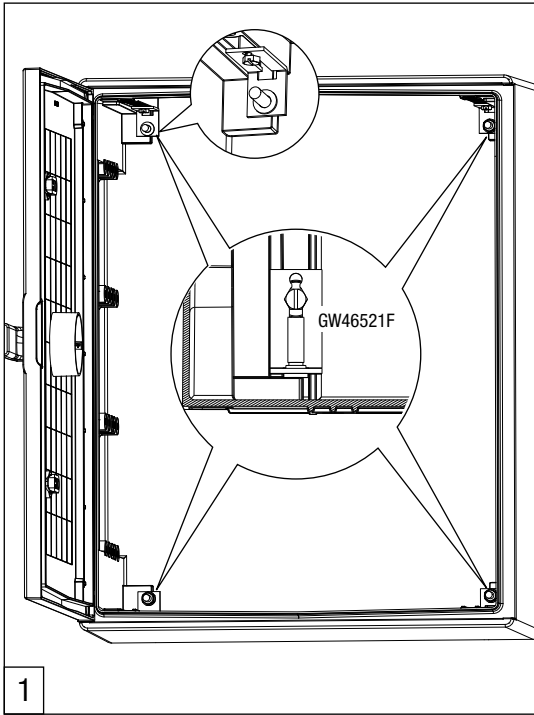
(\*) GW 70 070 / GW 70 073 + GW 70 171  
 (\*\*) GW 70 071 / GW 70 074 + GW 70 172

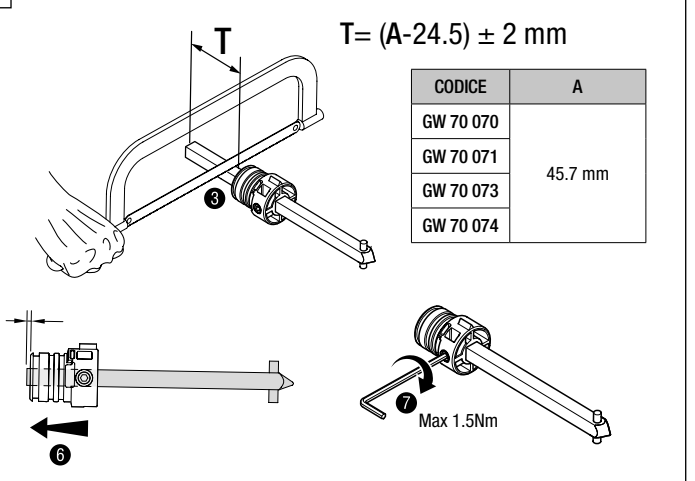
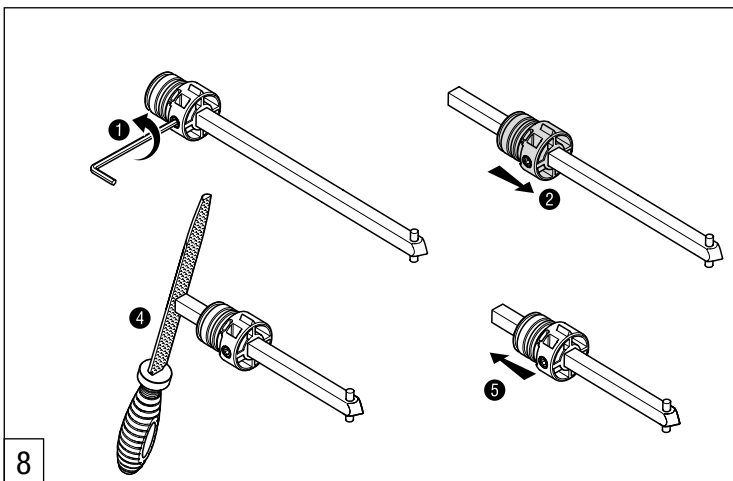
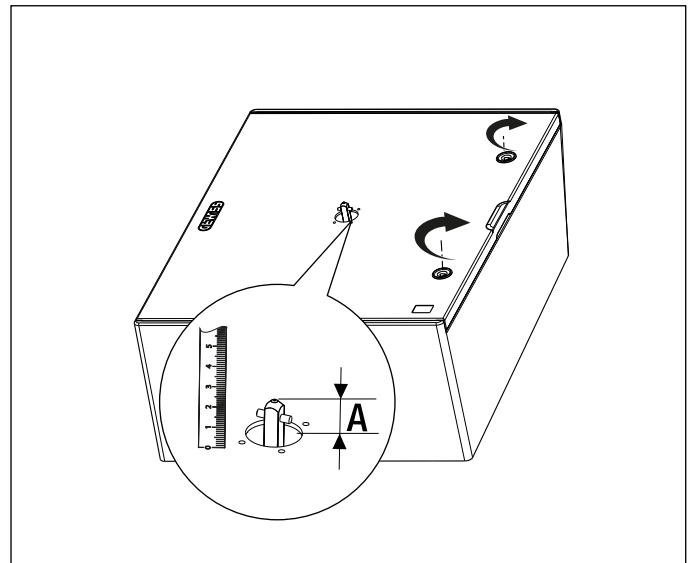
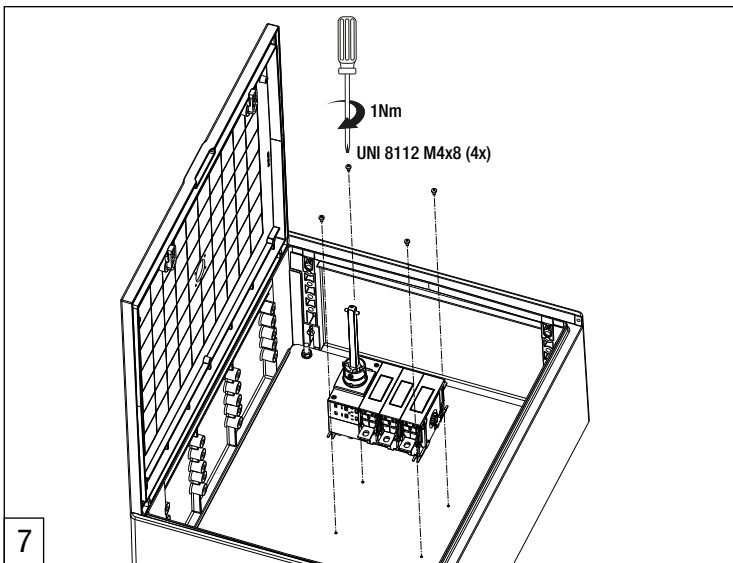
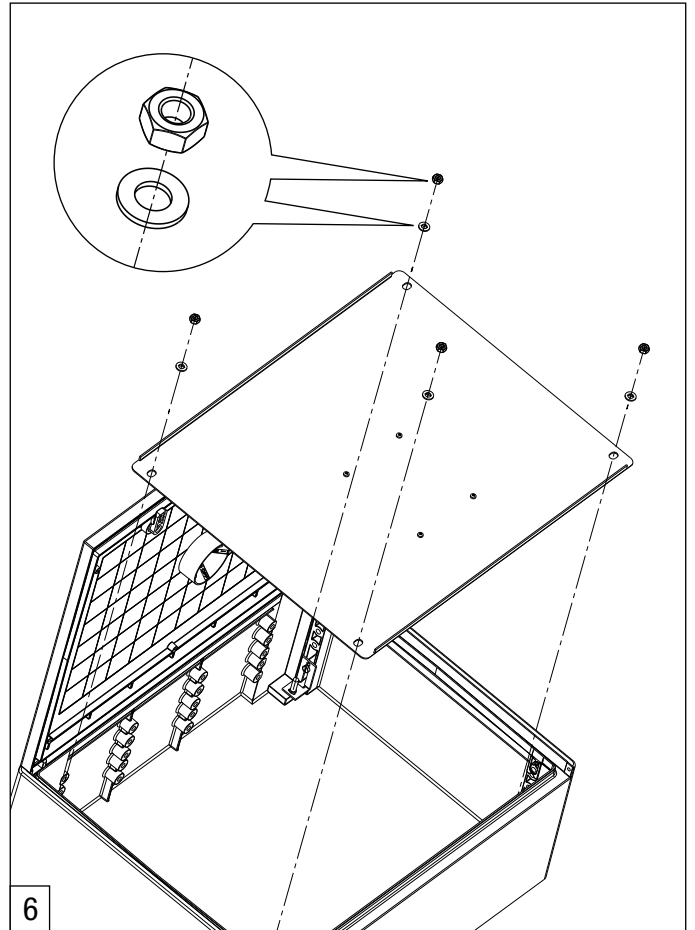
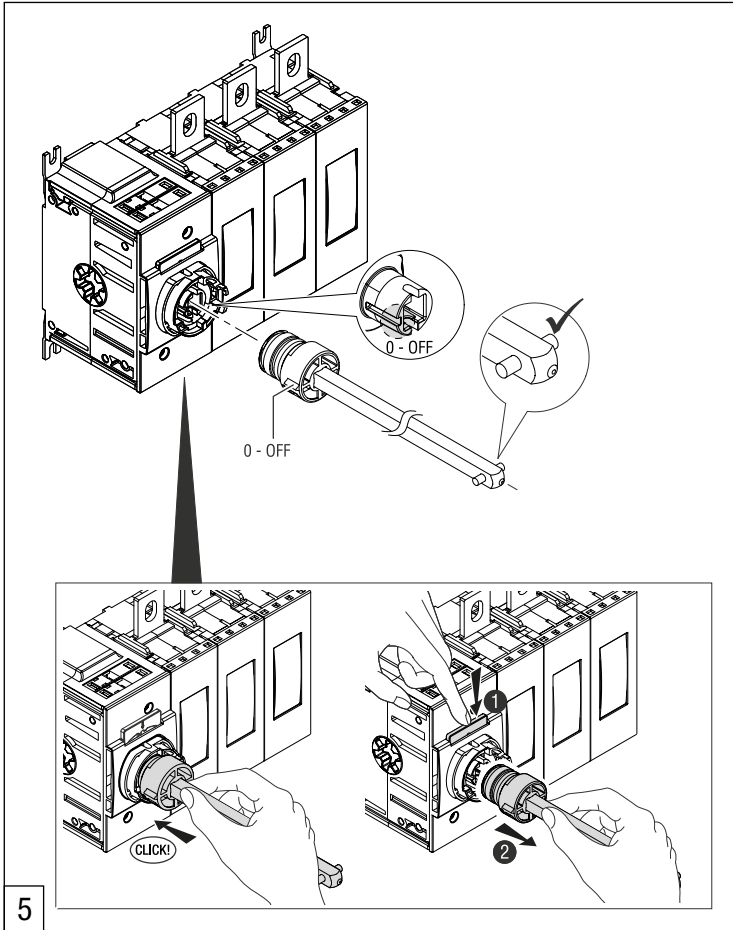




**B**

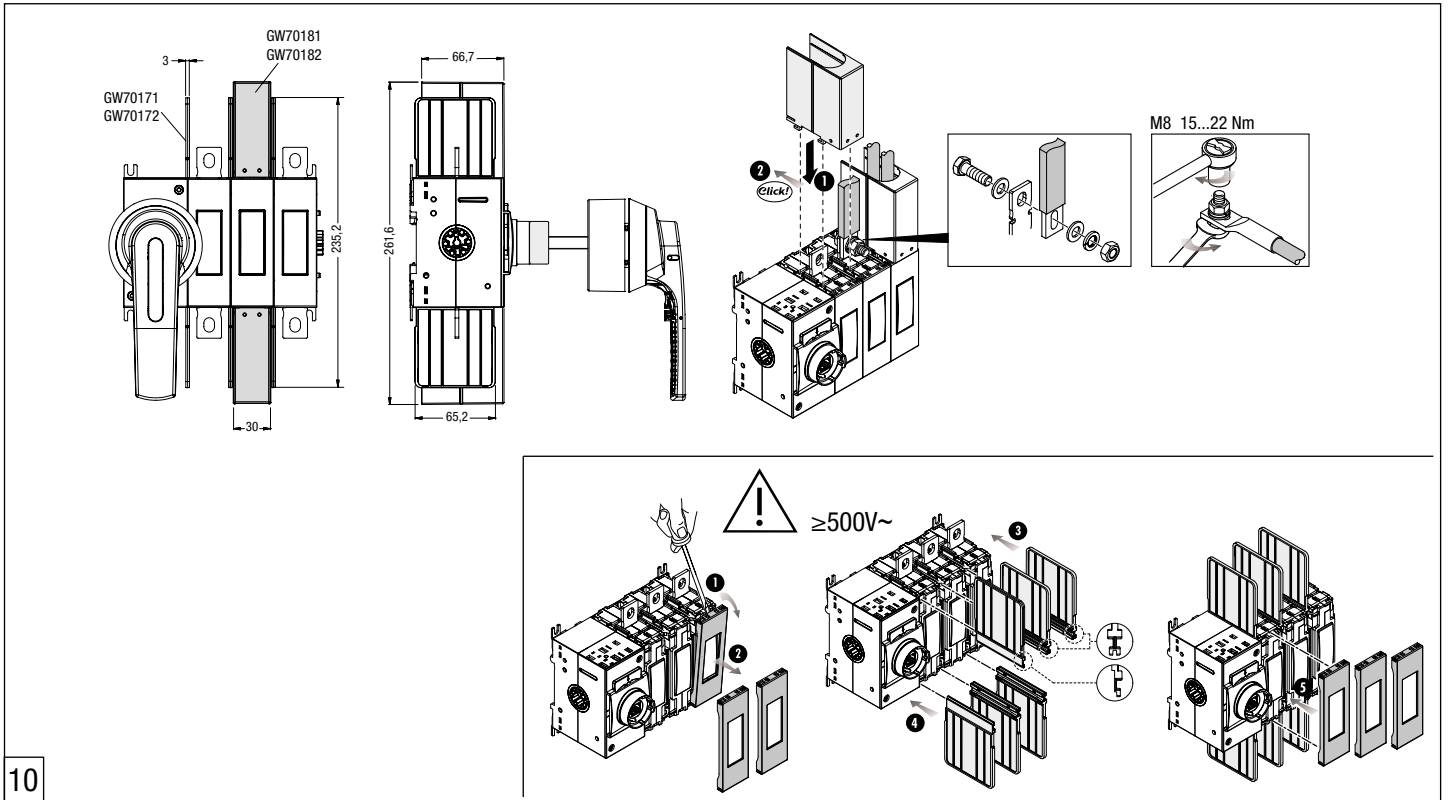
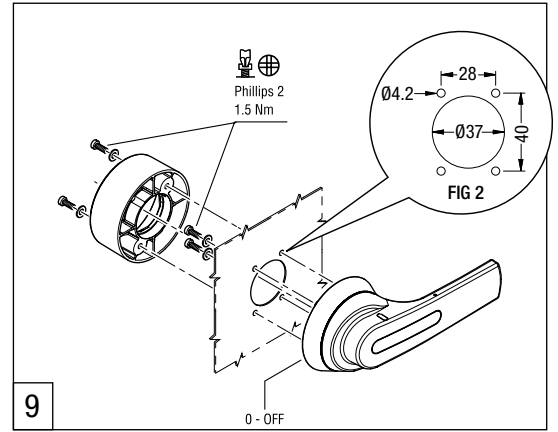
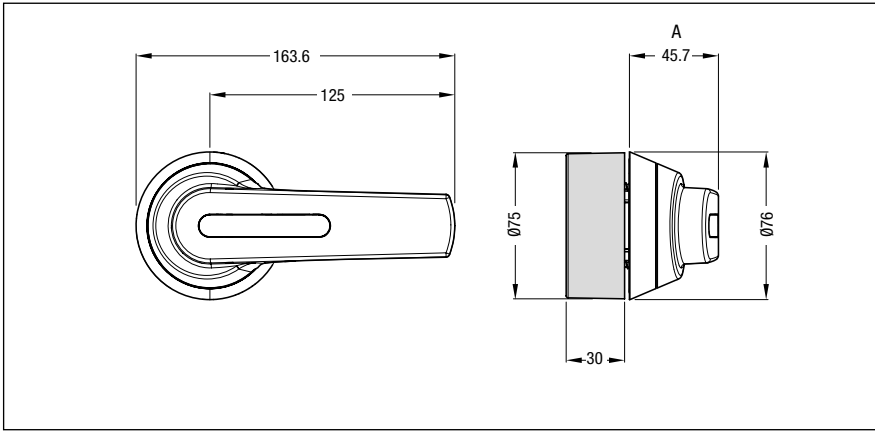




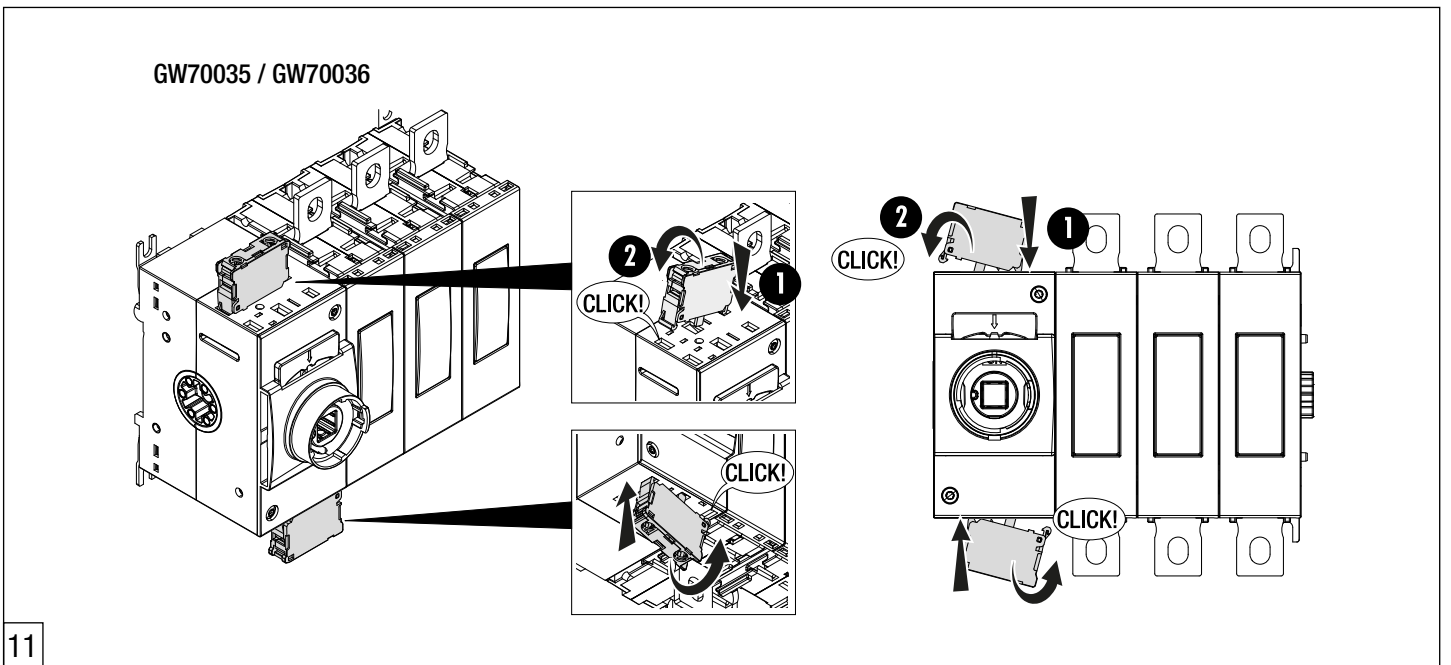


$$T = (A - 24.5) \pm 2 \text{ mm}$$

CODICE	A
GW 70 070	45.7 mm
GW 70 071	
GW 70 073	
GW 70 074	

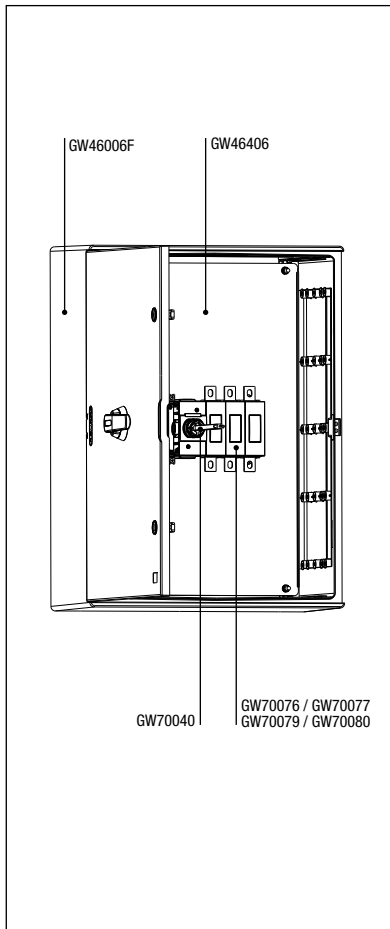


10



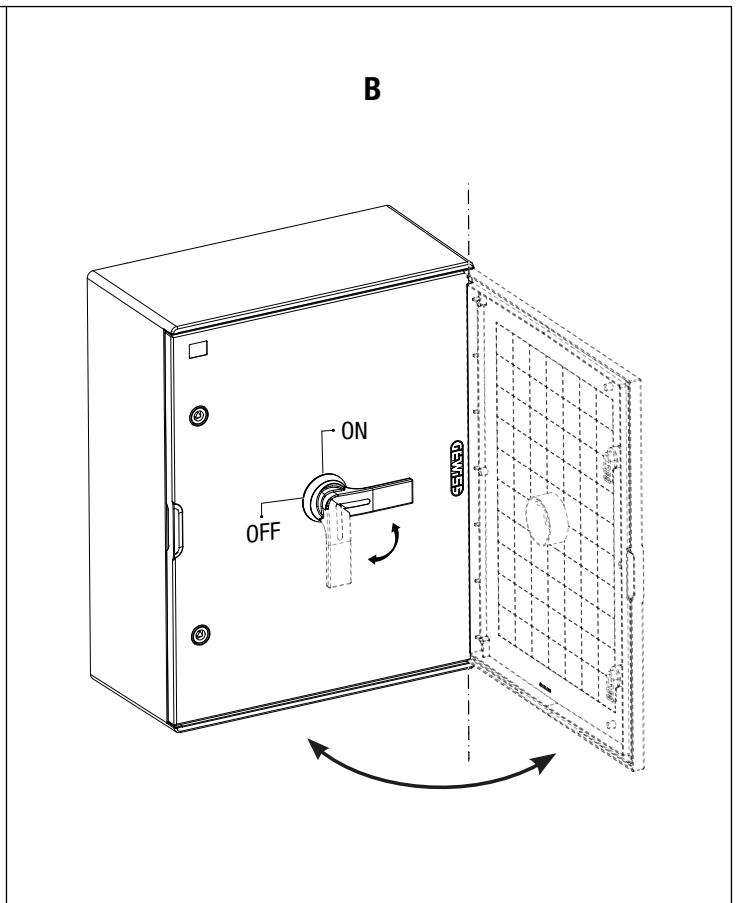
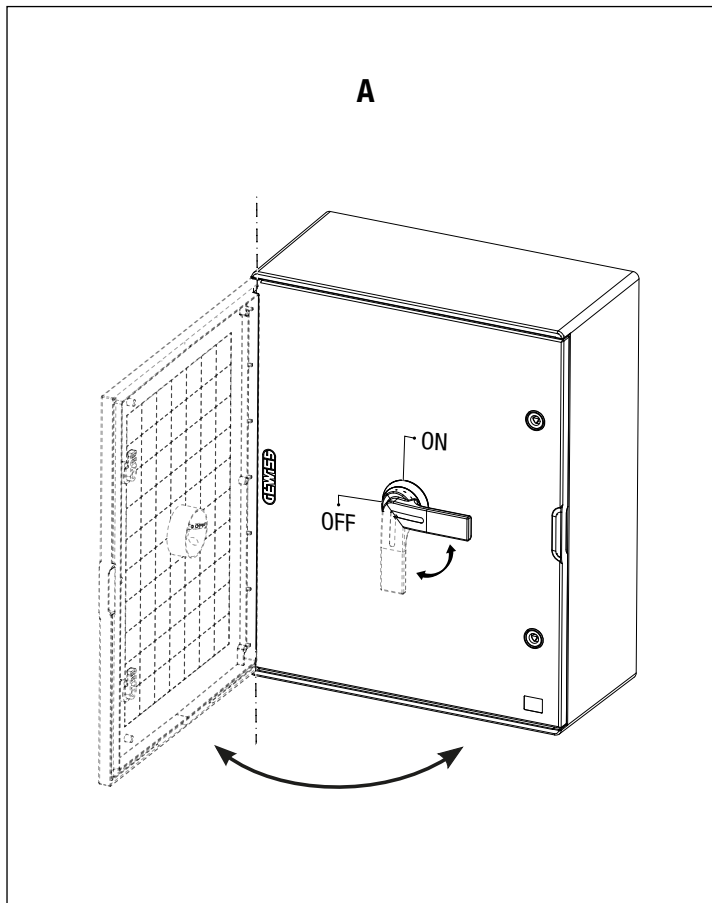
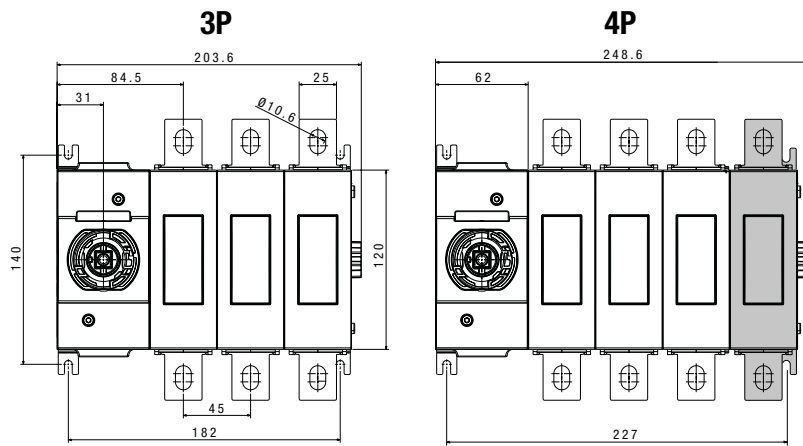
11

# 70RT 315 A - 400 A



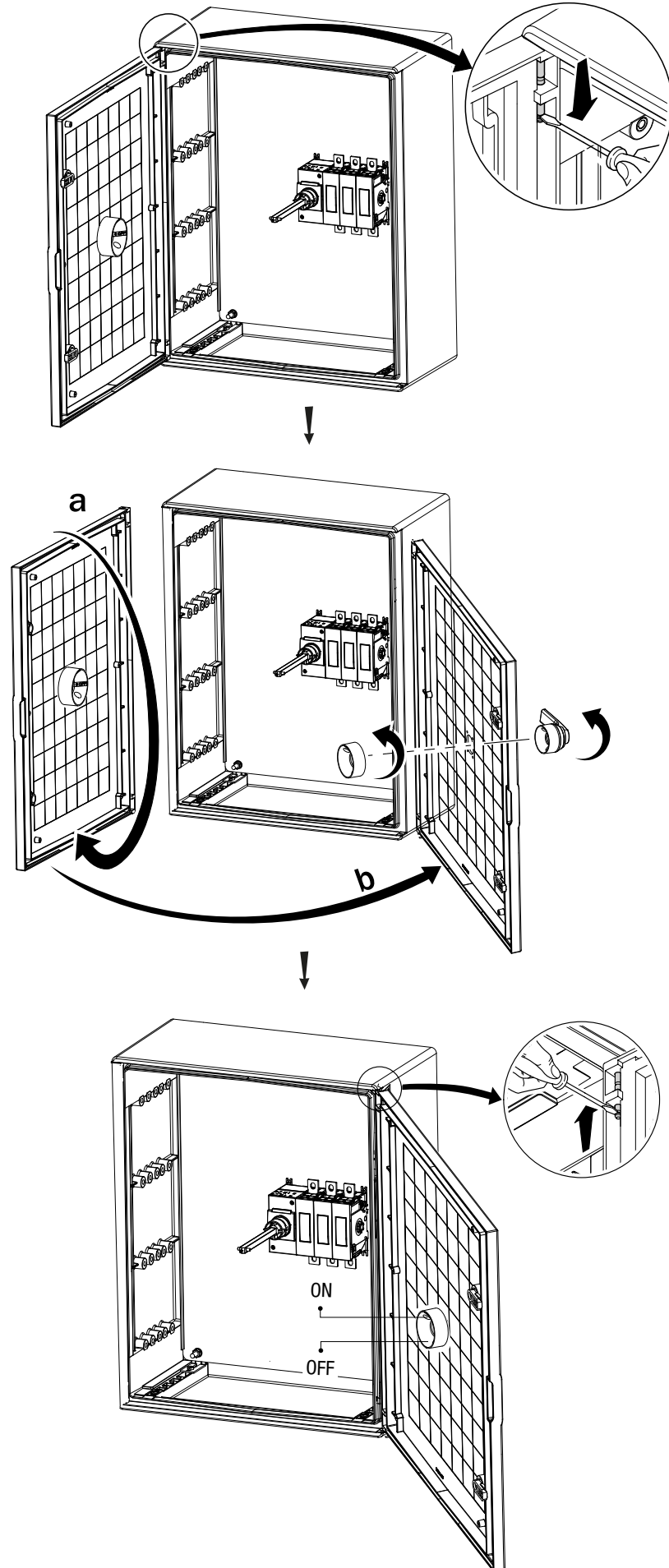
	AC21A - AC22A - AC23A		
		415V~	500V~ 690V~
GW 70 076	3P	315 A	315 A(*)
GW 70 077	4P	315 A	315 A(**)
GW 70 079	3P	400 A	400 A(*)
GW 70 080	4P	400 A	400 A(**)

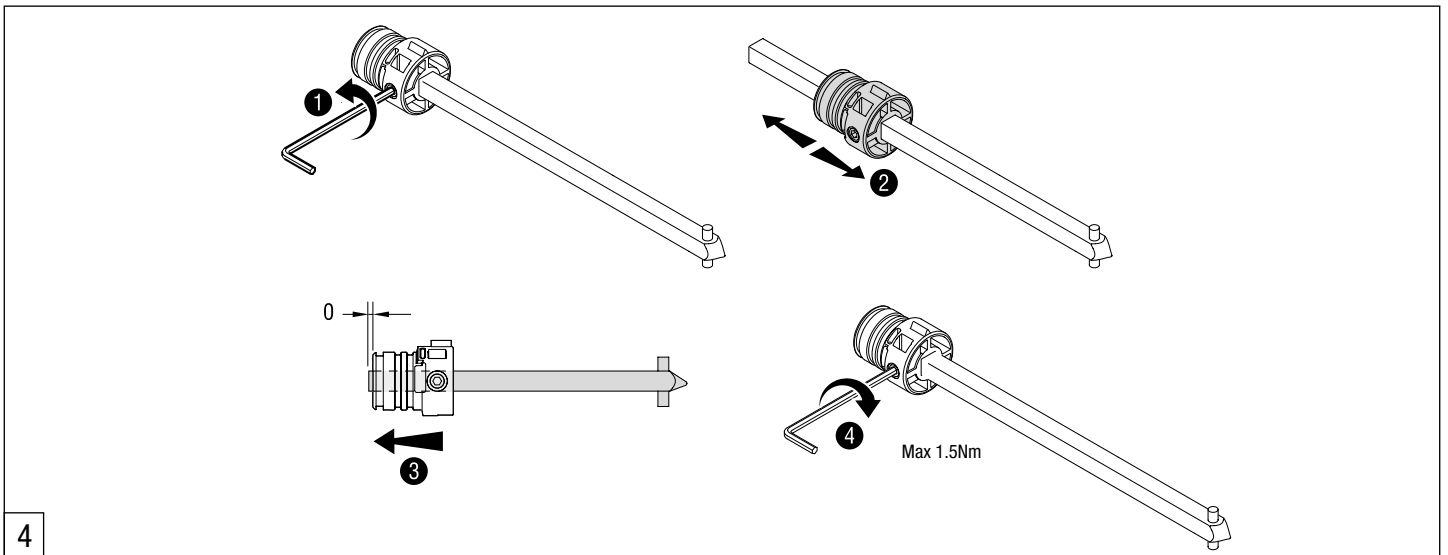
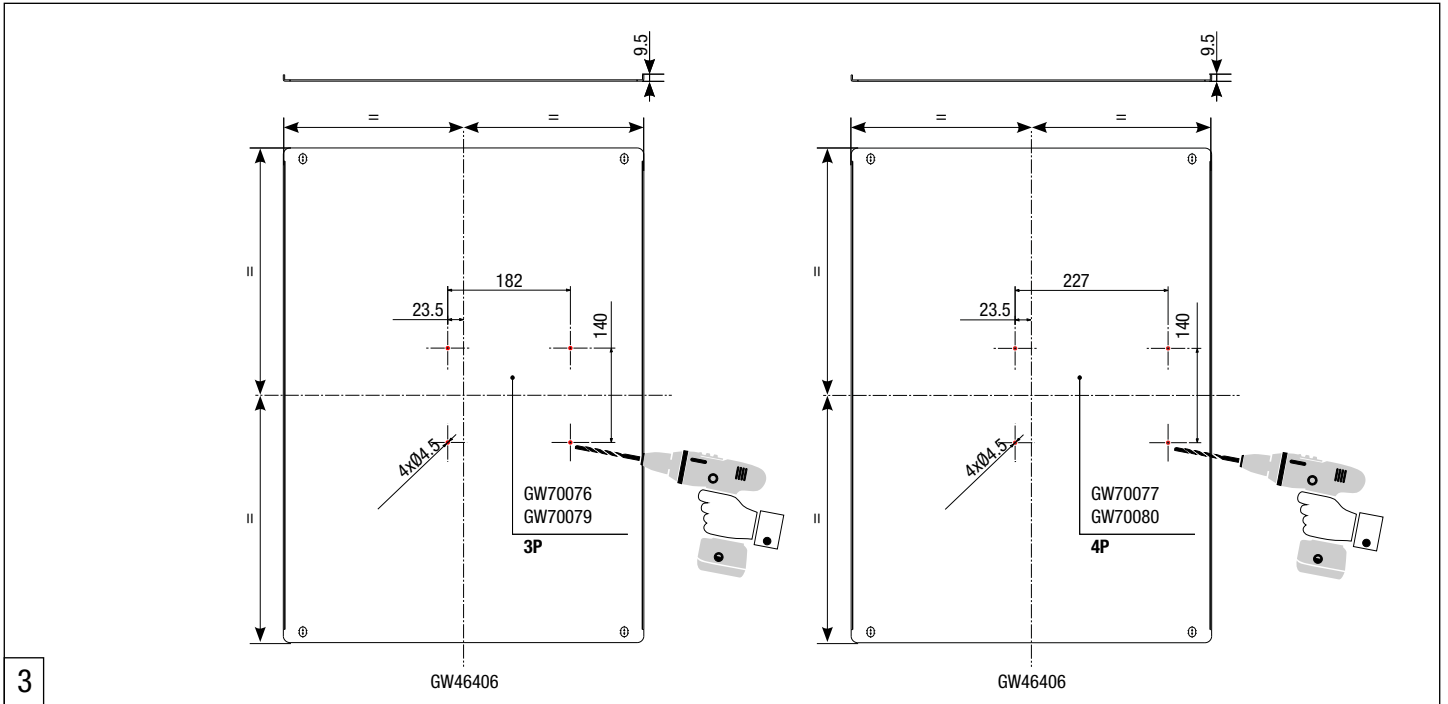
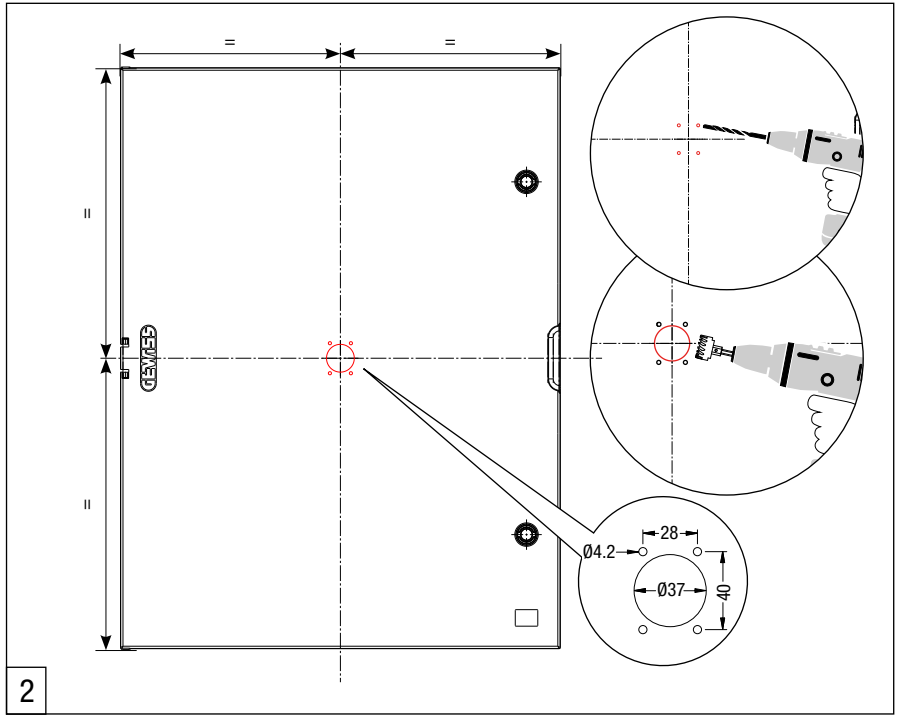
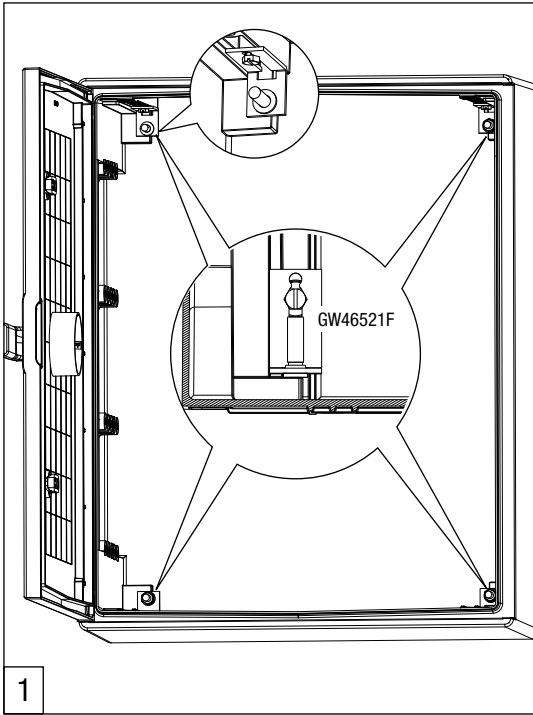
(\*) GW 70 076 / GW 70 079 + GW 70 173  
 (\*\*) GW 70 077 / GW 70 080 + GW 70 174

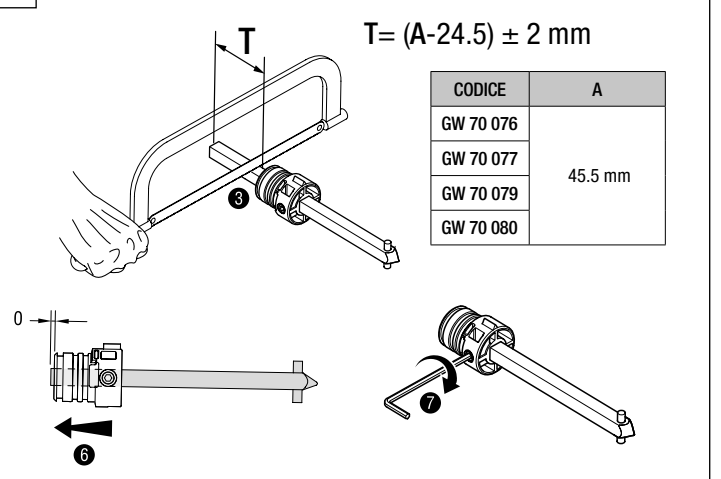
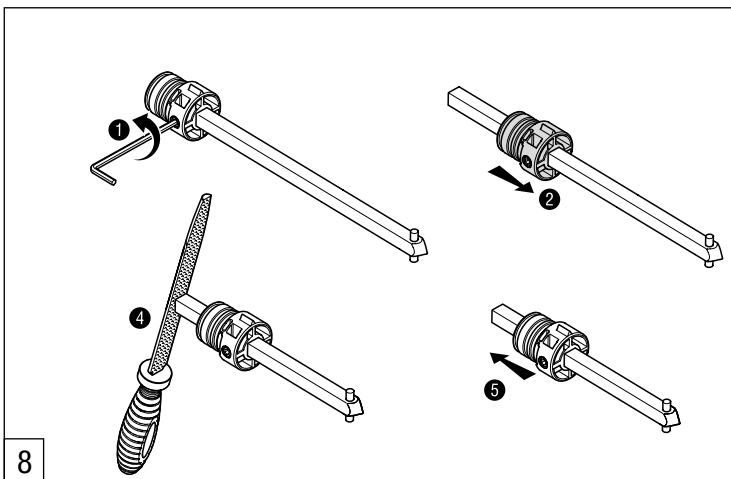
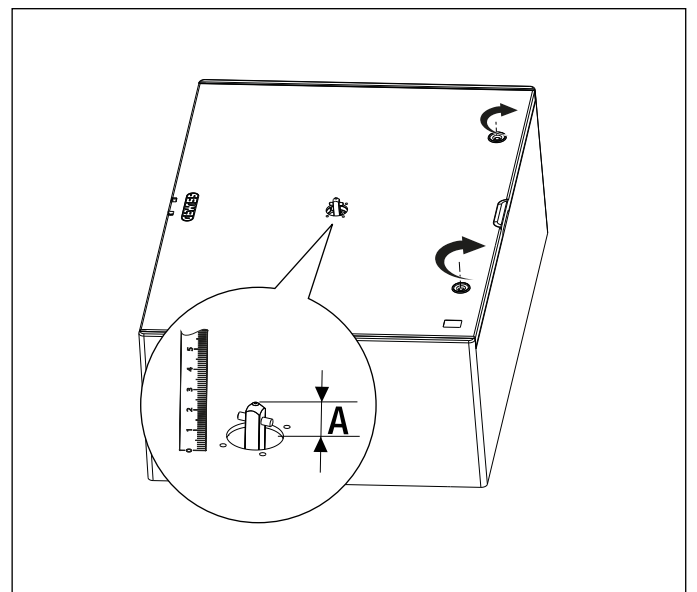
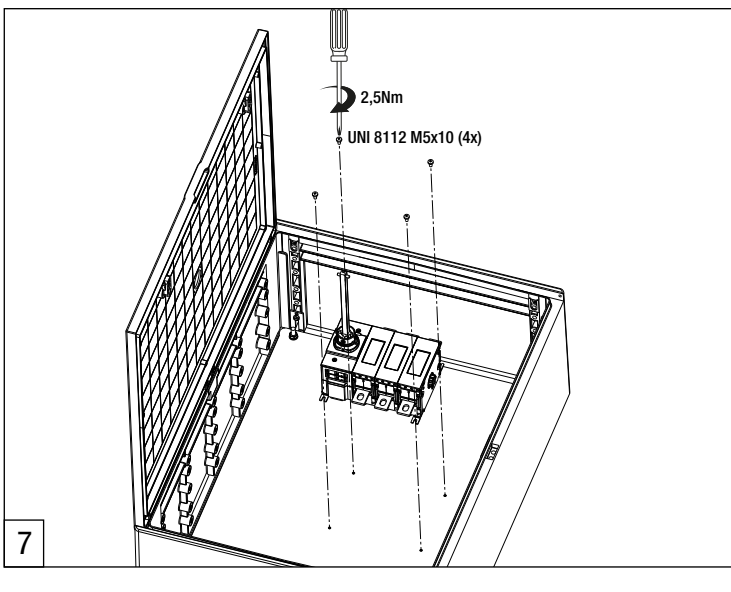
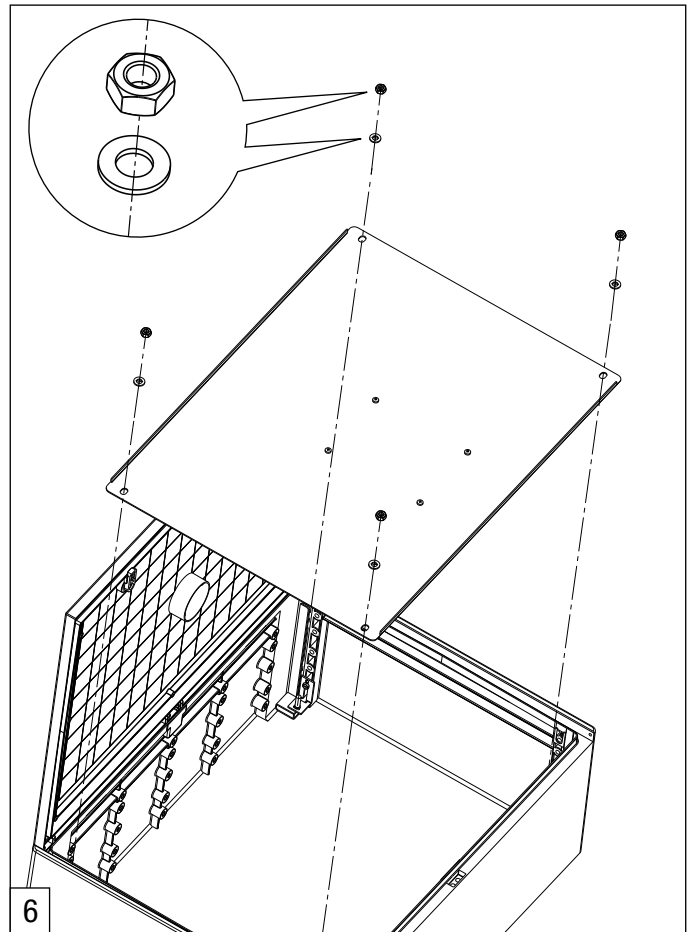
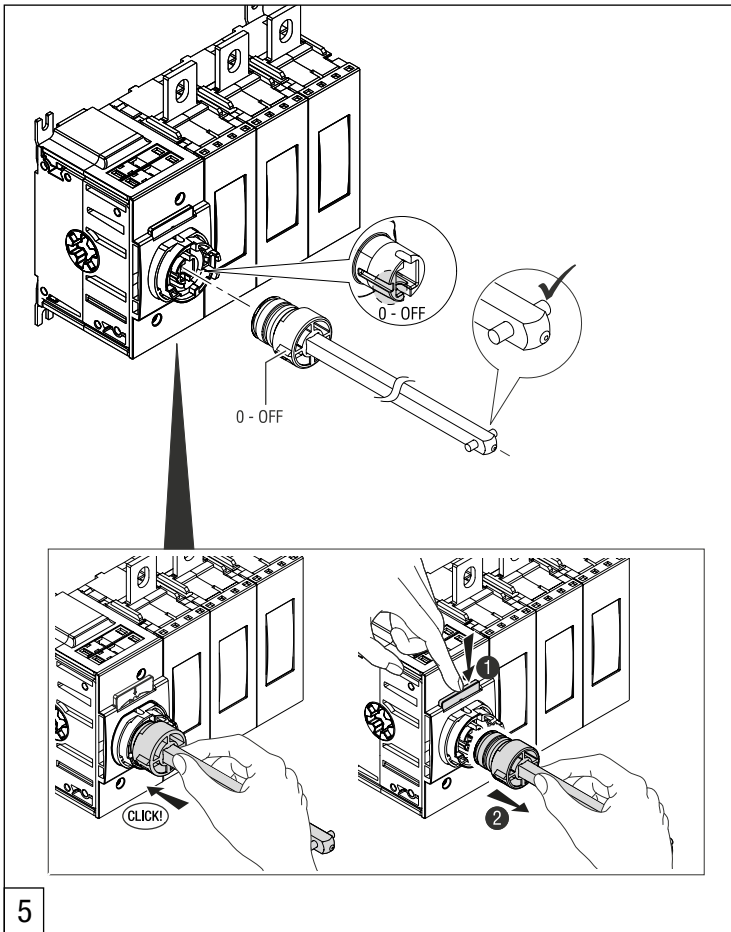


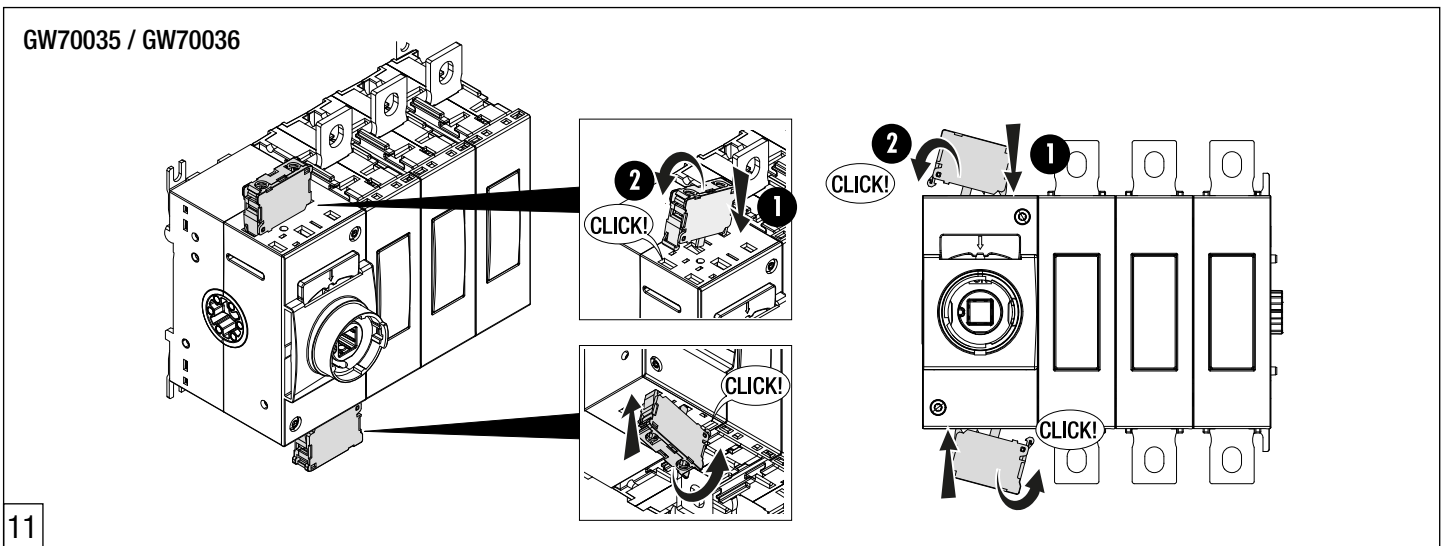
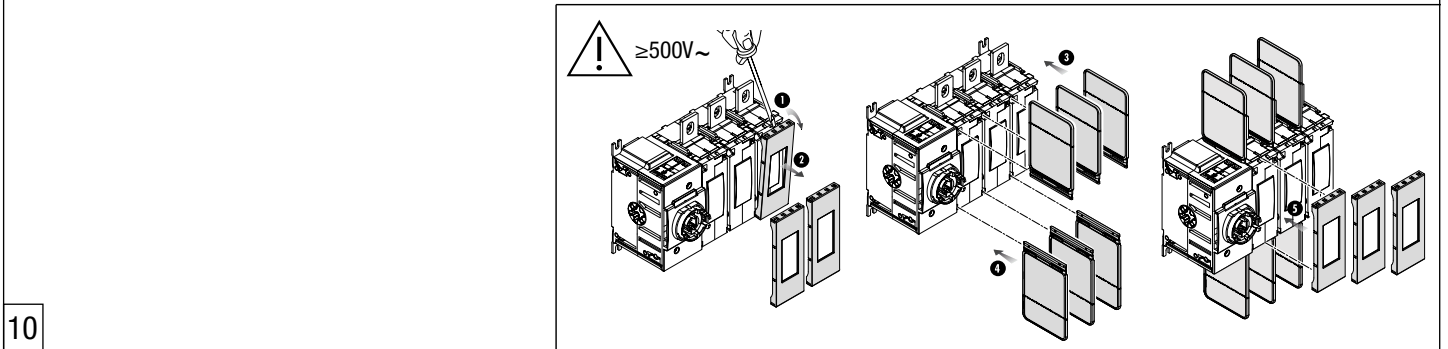
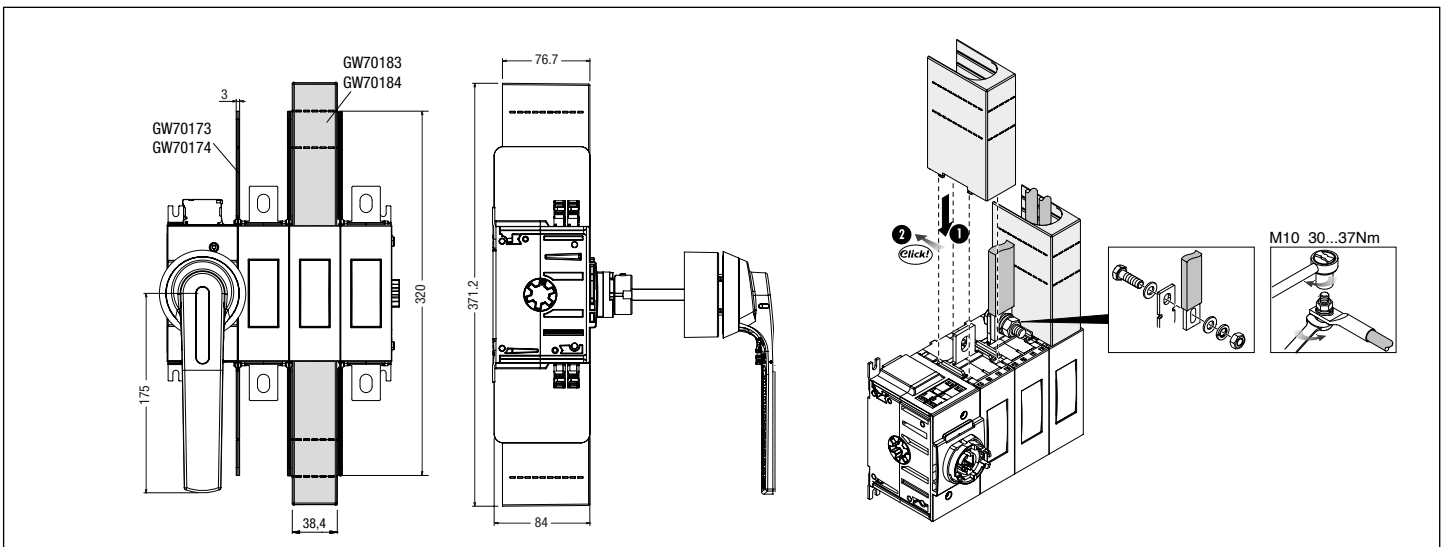
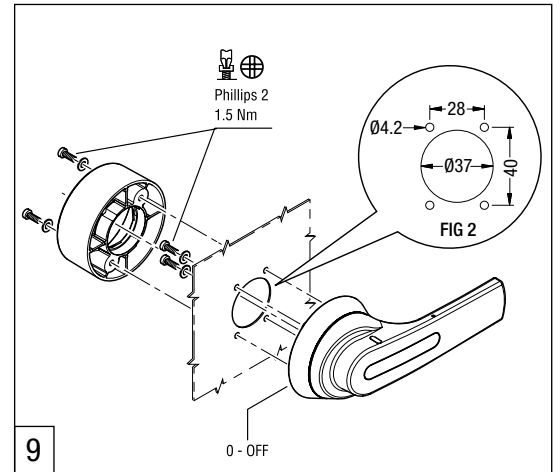
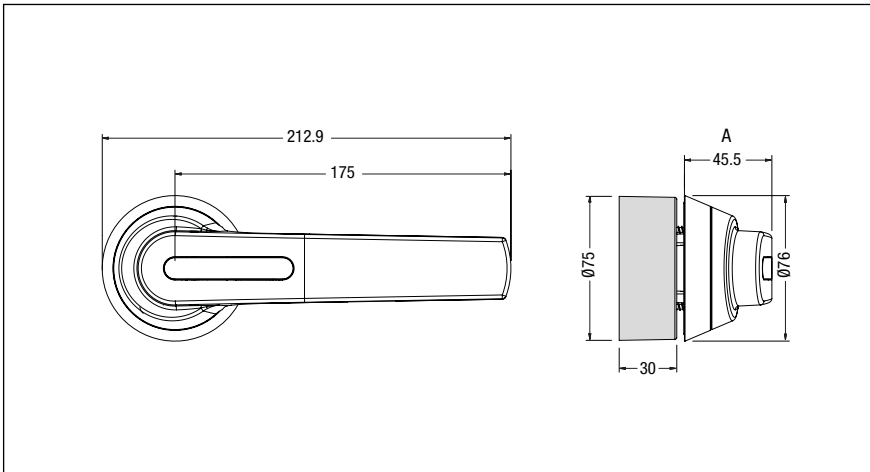
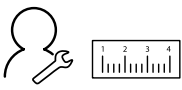


**B**

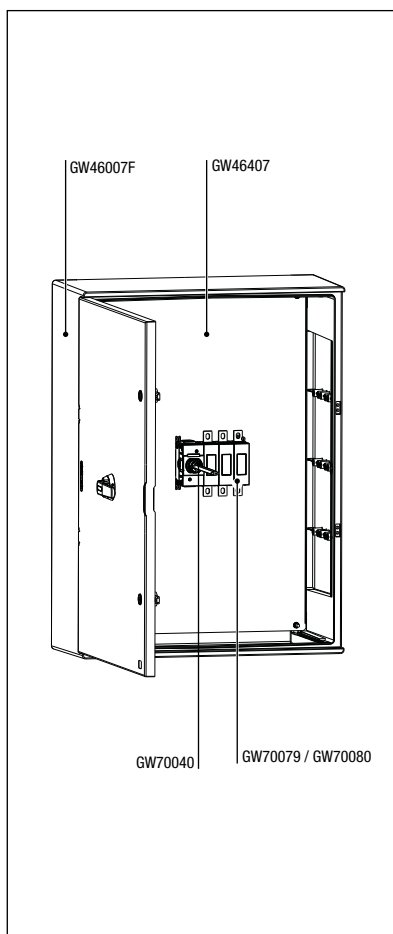




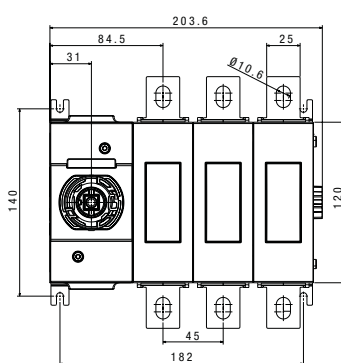




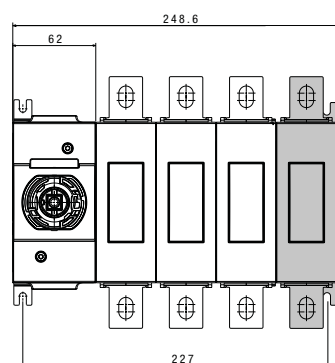
# 70RT 400A



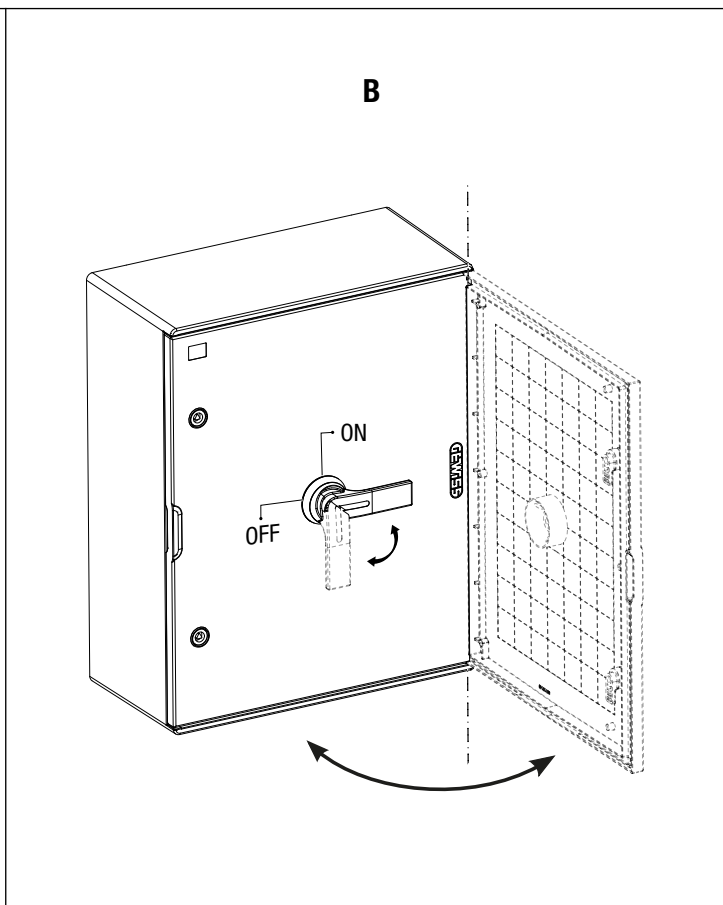
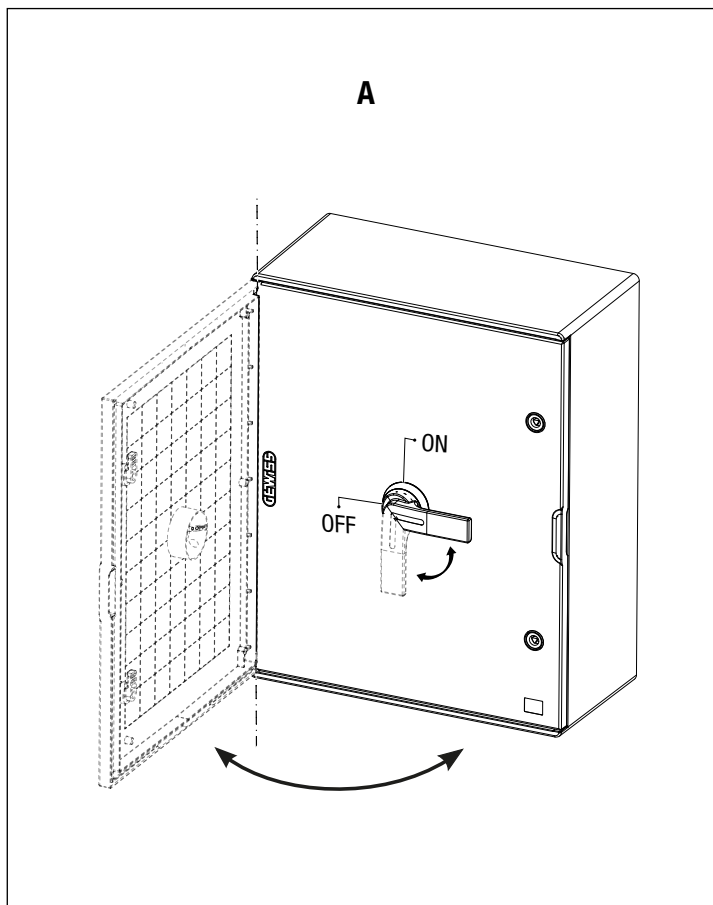
AC21A - AC22A - AC23A			
		415V~	500V~ 690V~
GW 70 079	3P	400 A	400 A(*)
GW 70 080	4P	400 A	400 A(**)
(*) GW 70 079 + GW 70 173			
(**) GW 70 080 + GW 70 174			



**3P**

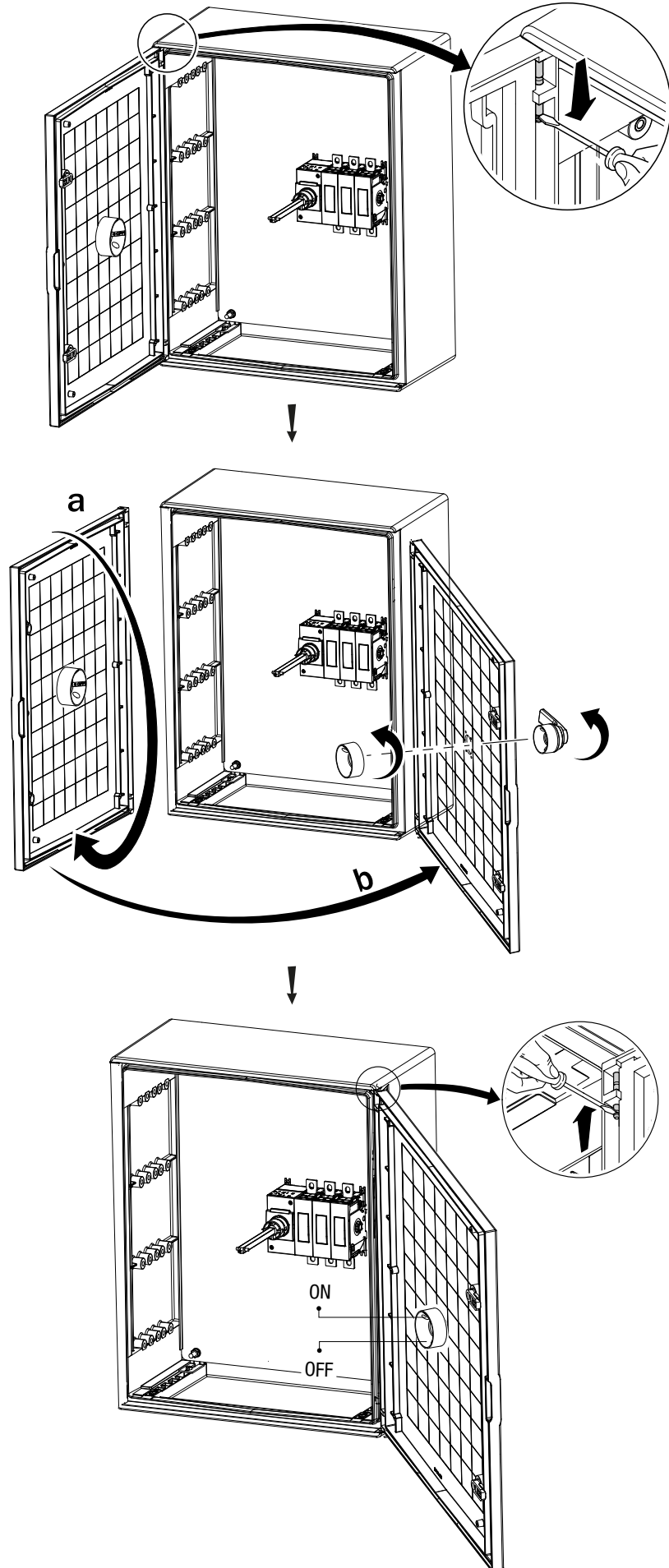


**4P**

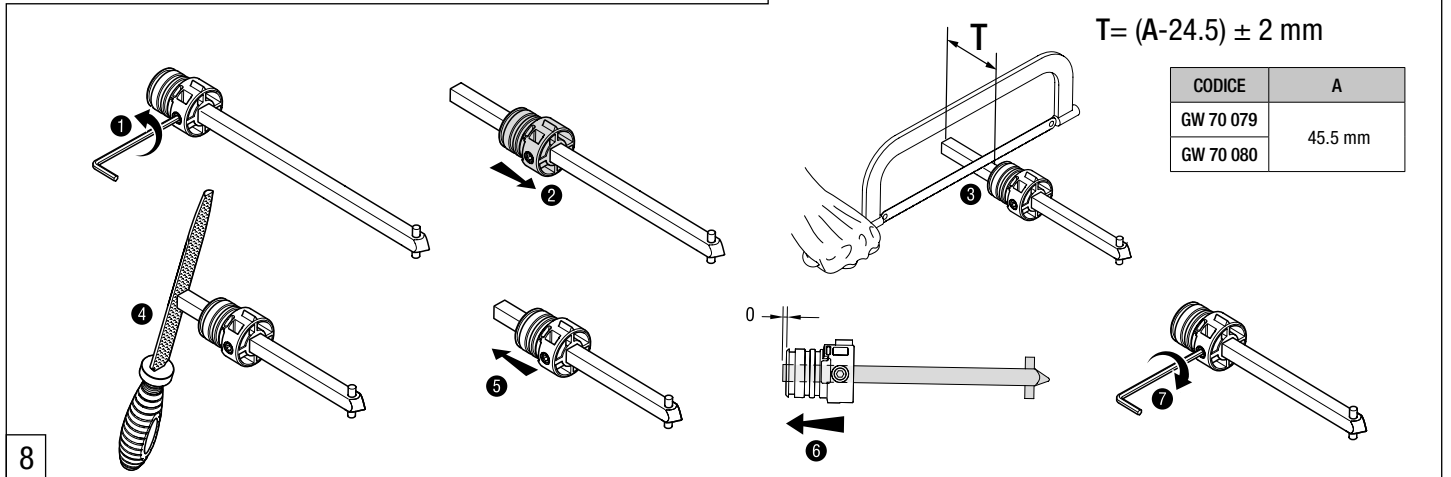
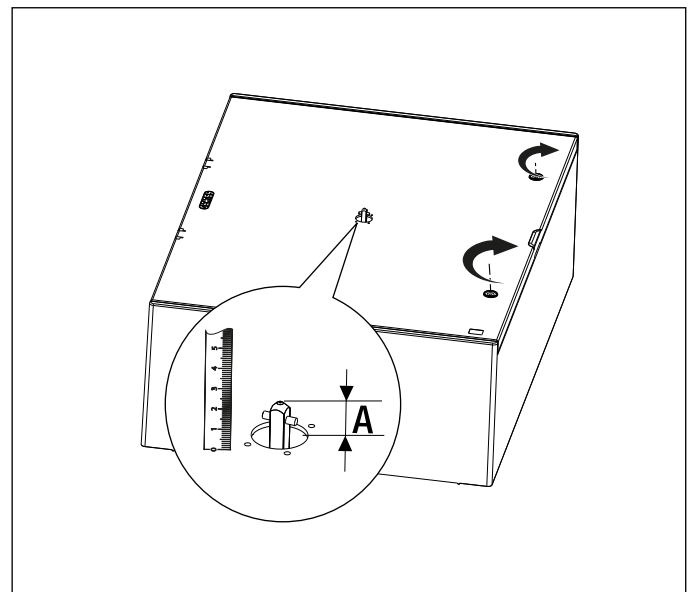
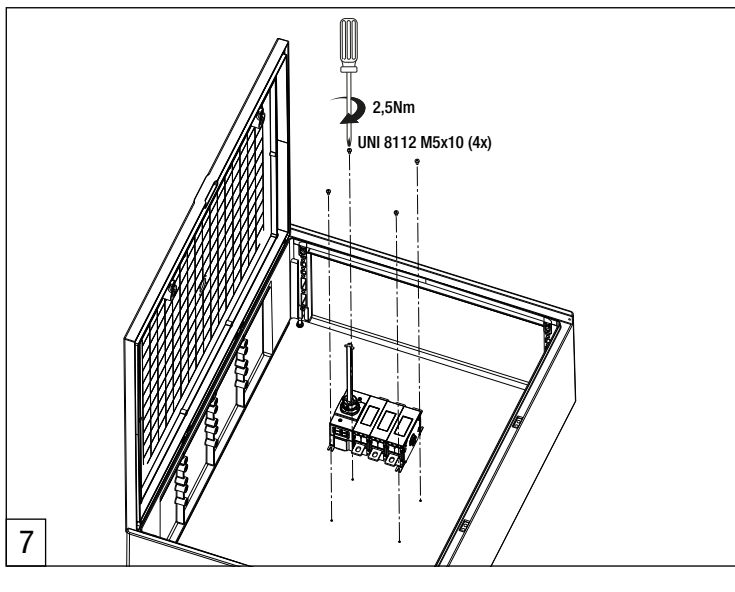
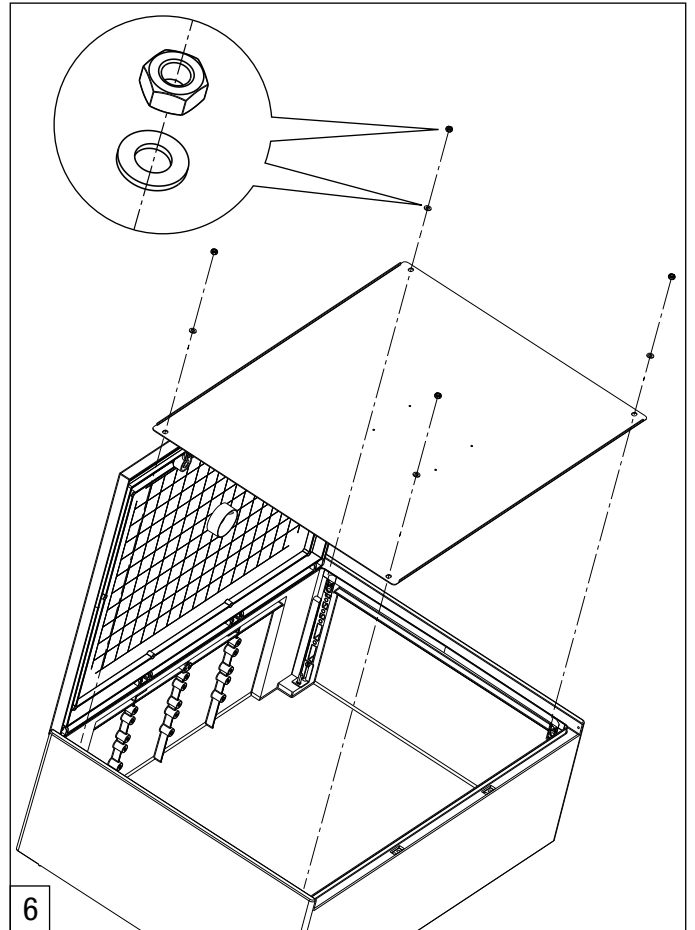
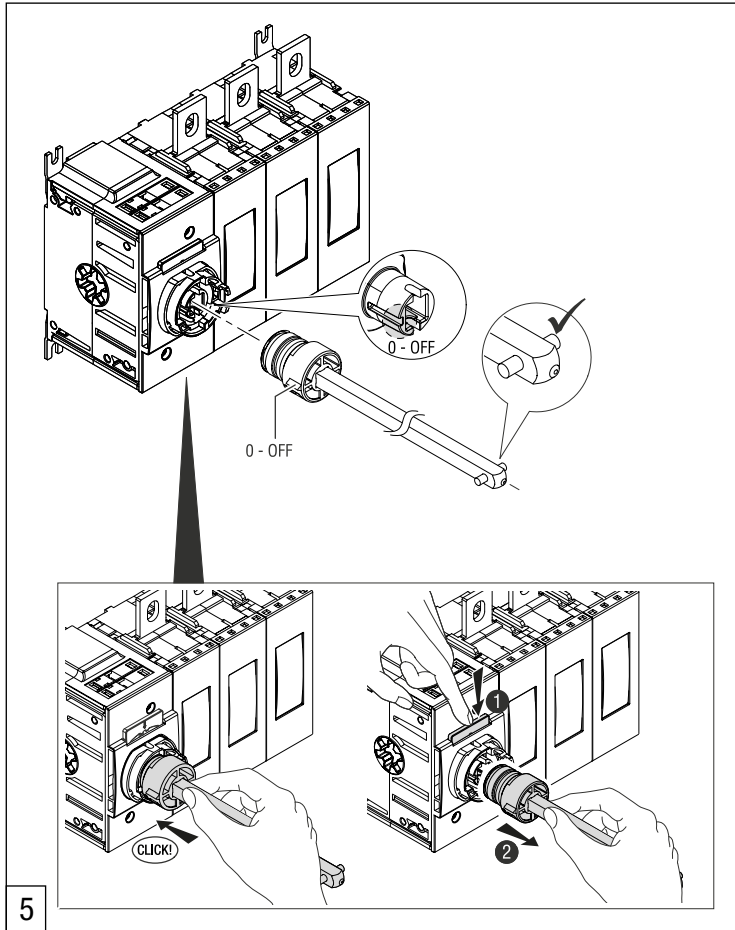


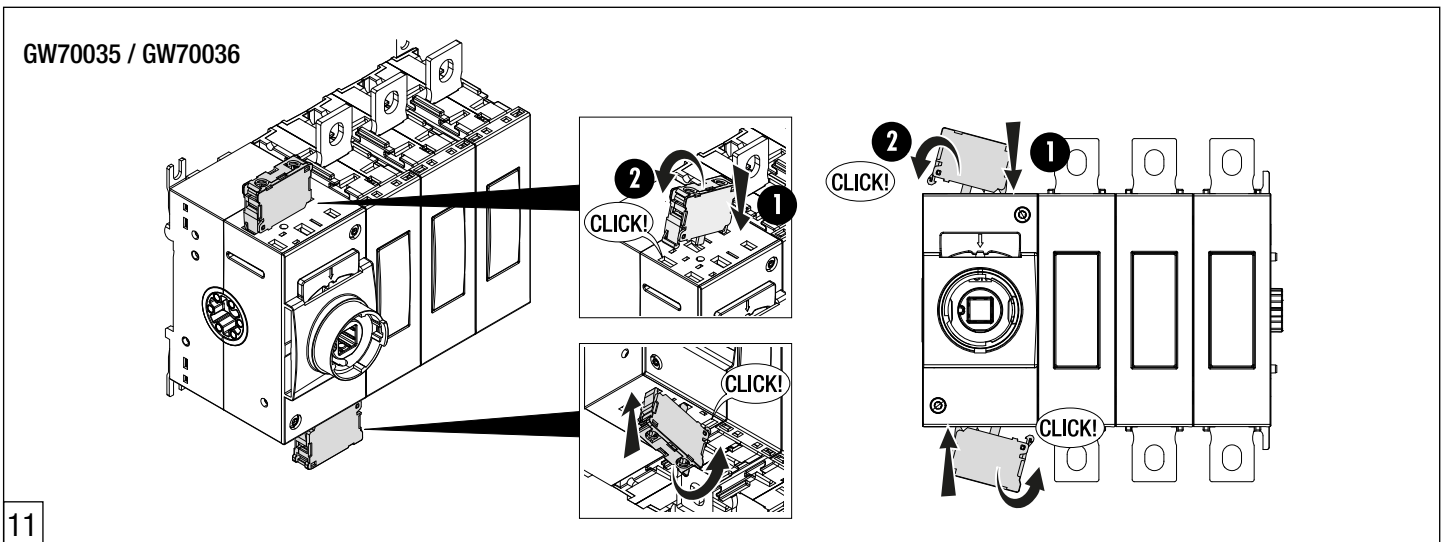
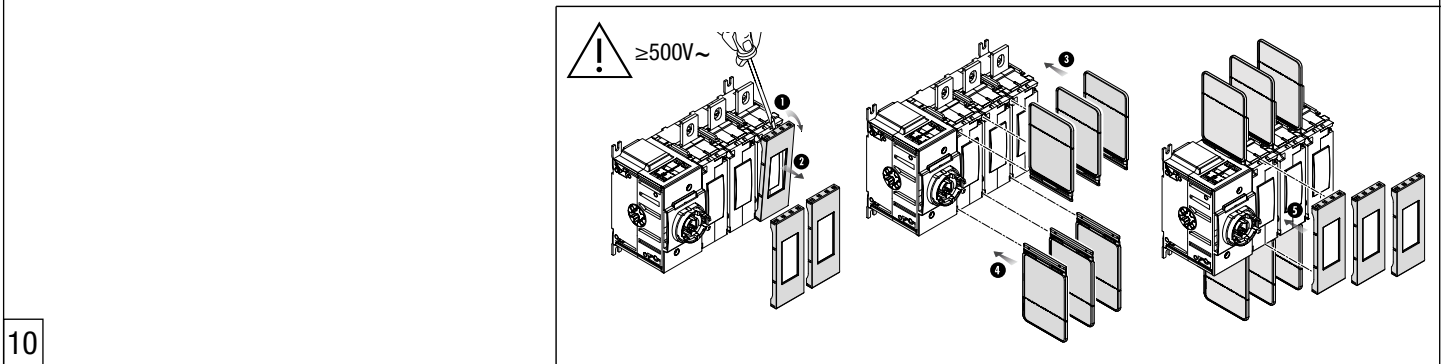
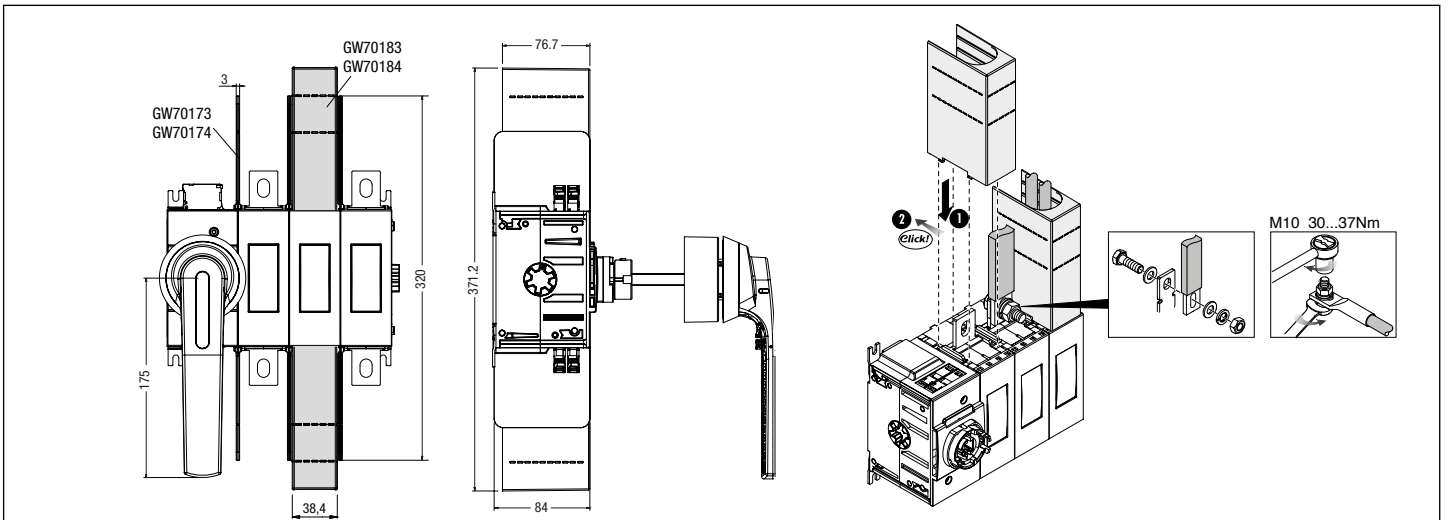
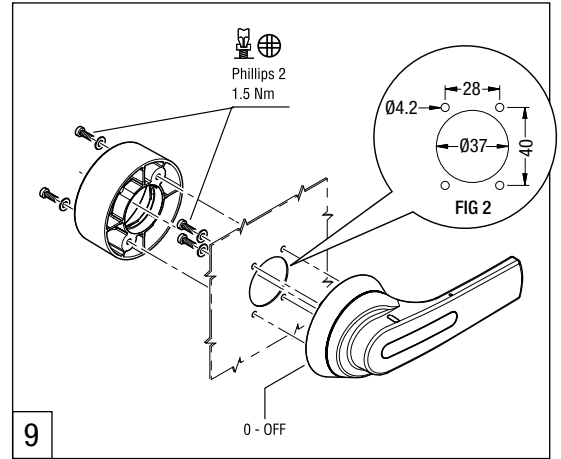
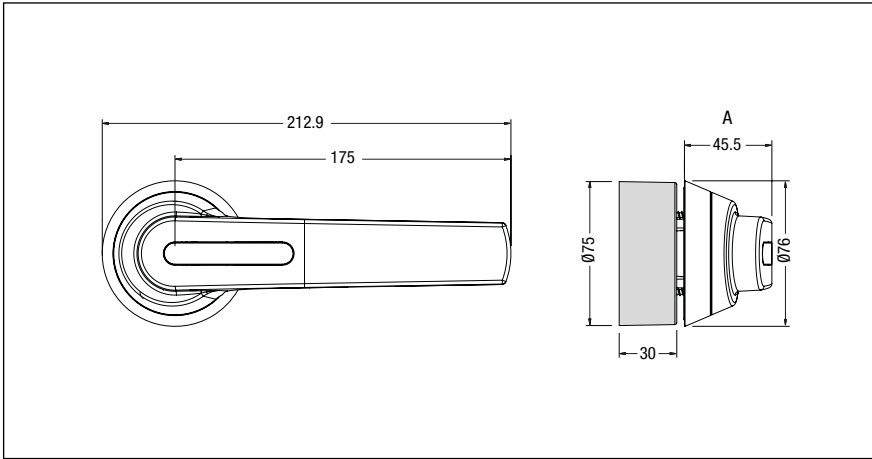
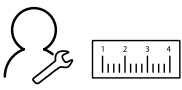


**B**







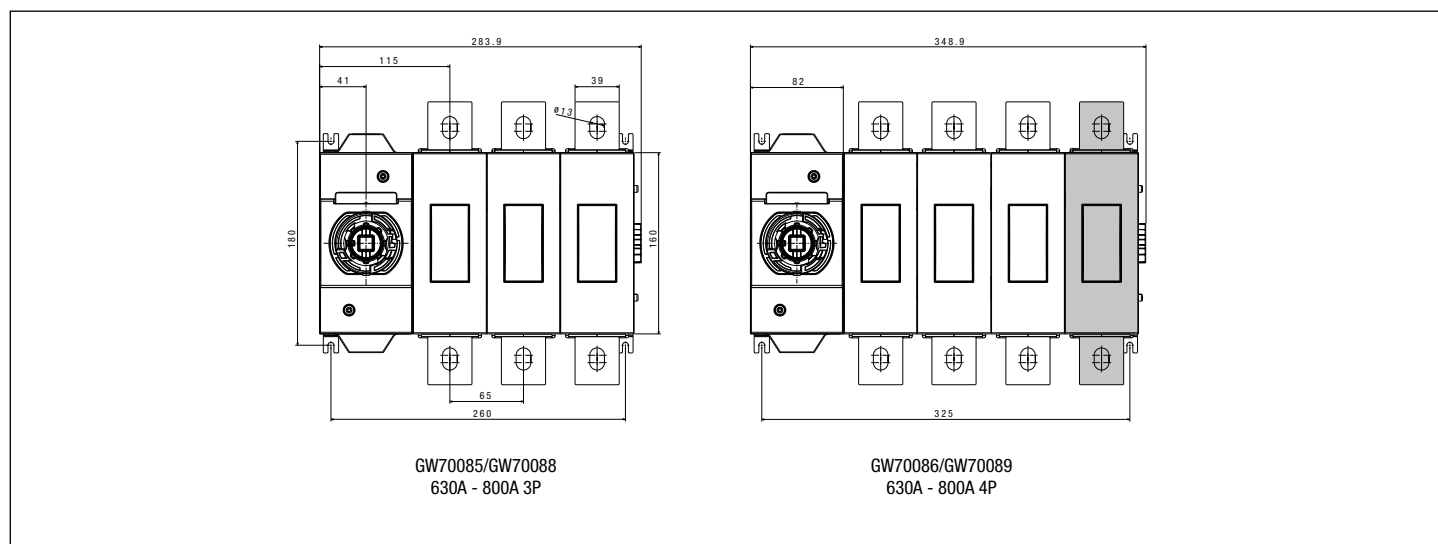
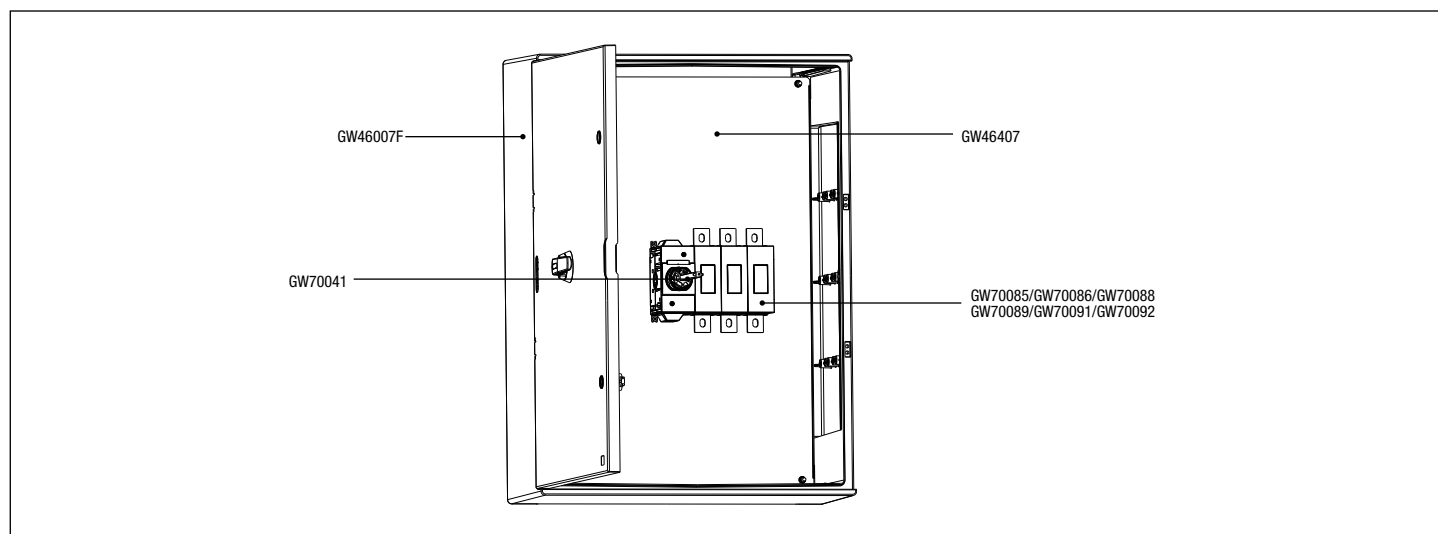


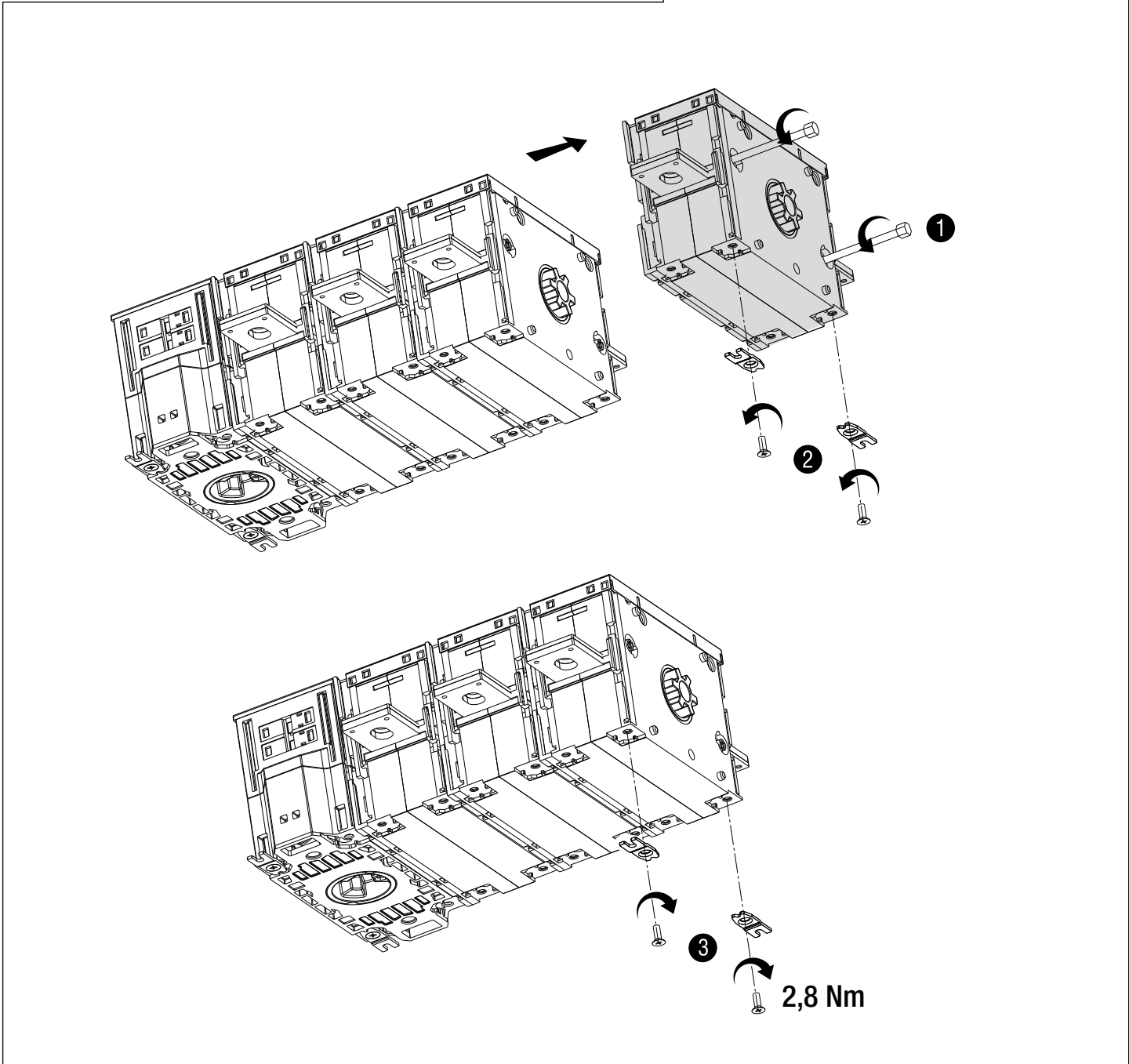
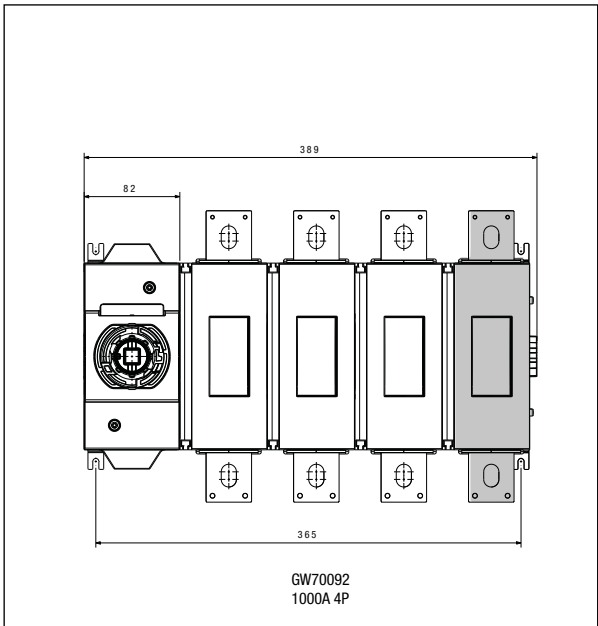
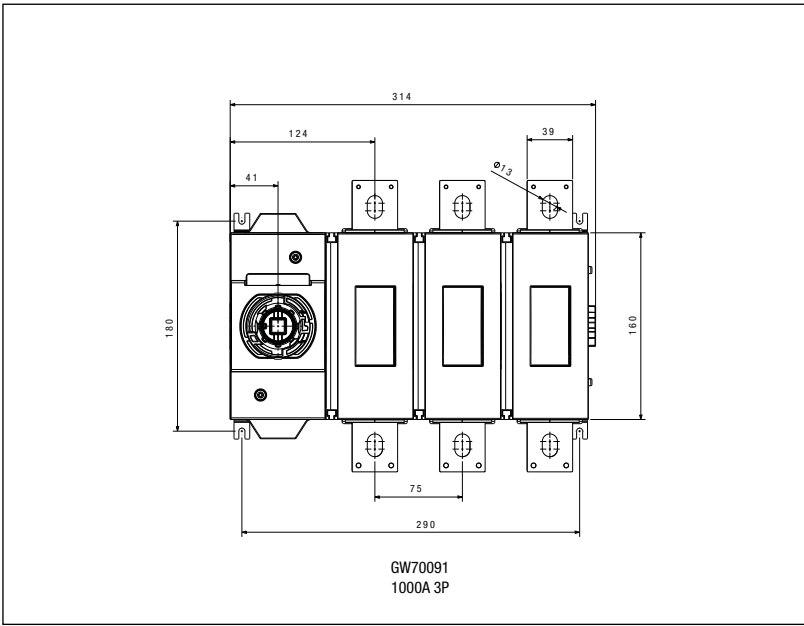
# 70RT 630 A - 800 A - 1000 A

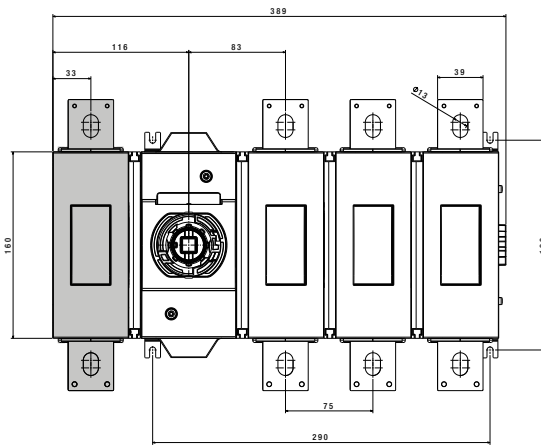
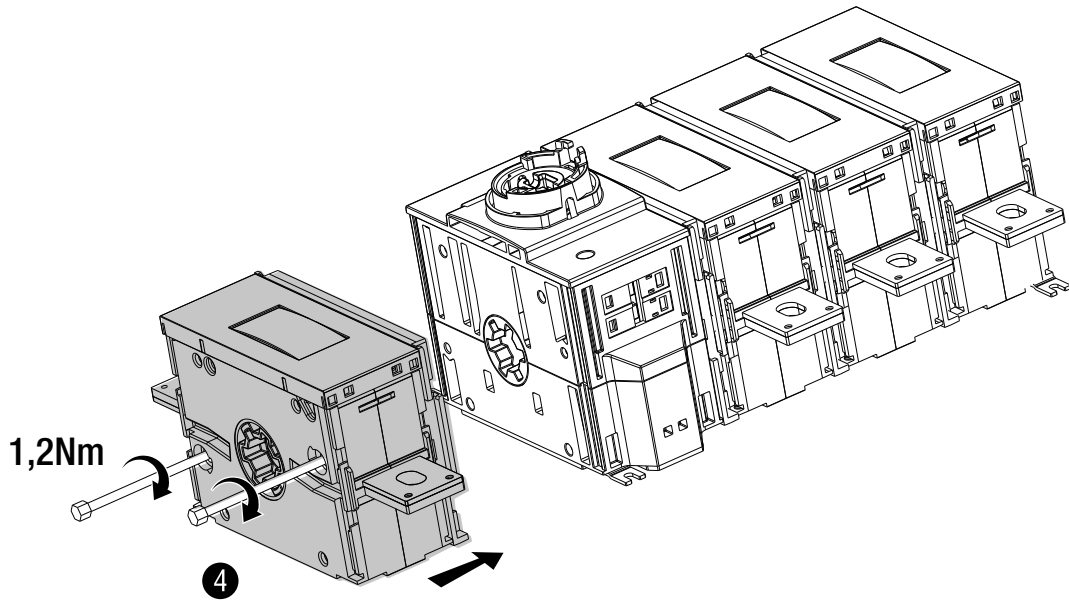


		AC21A			AC22A			AC23A		
		415V~	500V~	690V~	415V~	500V~	690V~	415V~	500V~	690V~
GW 70 085	3P	630 A	630 A (*)	630 A (*)	630 A	630 A (*)	630 A (*)	630 A	630 A (*)	630 A (*)
GW 70 086	4P	630 A	630 A (**)	630 A (**)	630 A	630 A (**)	630 A (**)	630 A	630 A (**)	630 A (**)
GW 70 088	3P	800 A	800 A (*)	800 A (*)	800 A	800 A (*)	800 A (*)	800 A	800 A (*)	800 A (*)
GW 70 089	4P	800 A	800 A (**)	800 A (**)	800 A	800 A (**)	800 A (**)	800 A	800 A (**)	800 A (**)
GW 70 091	3P	1000 A	1000 A	1000 A	1000 A	1000 A	800 A	1000 A	1000 A	800 A
GW 70 092	4P	1000 A	1000 A	1000 A	1000 A	1000 A	800 A	1000 A	1000 A	800 A

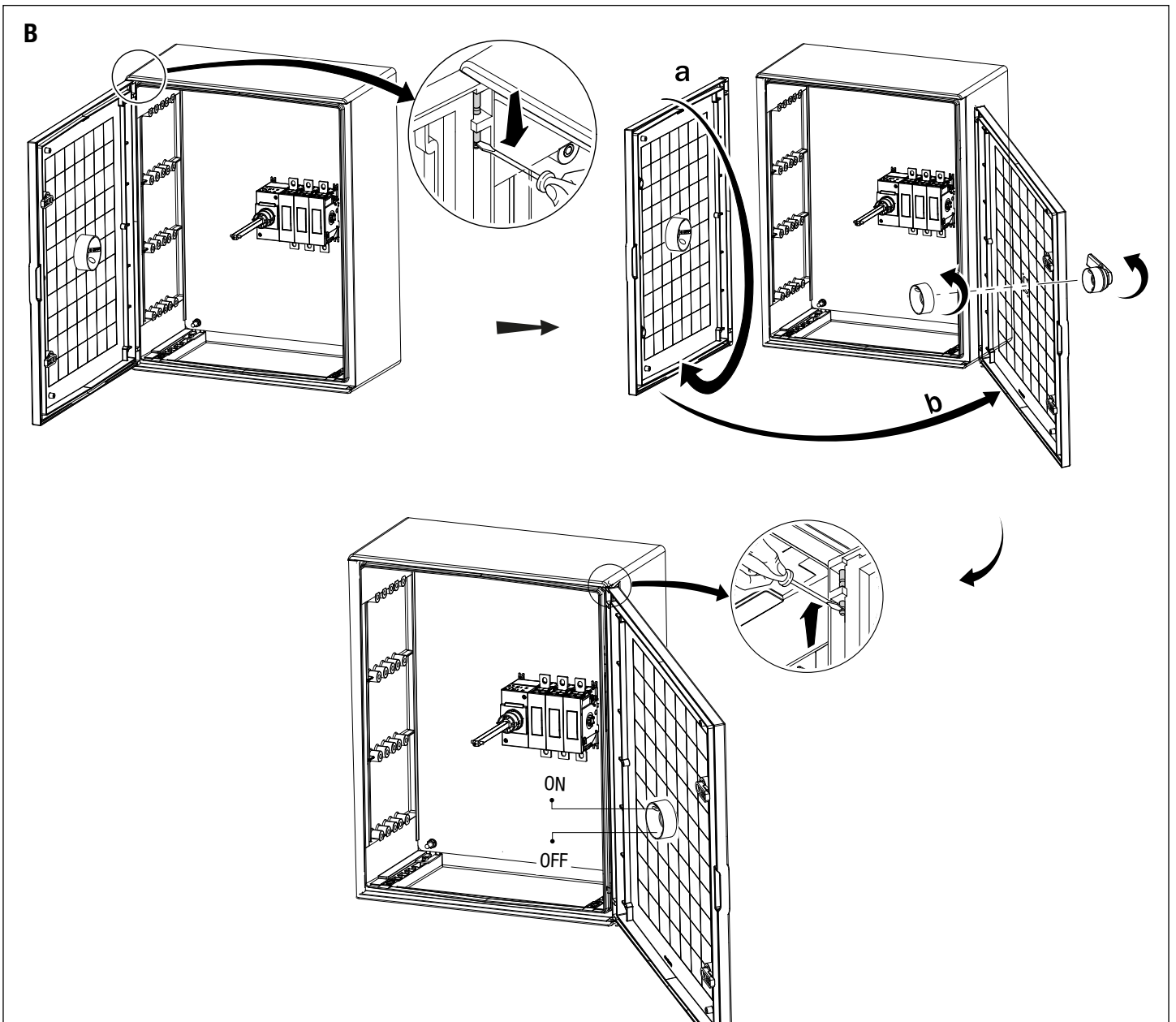
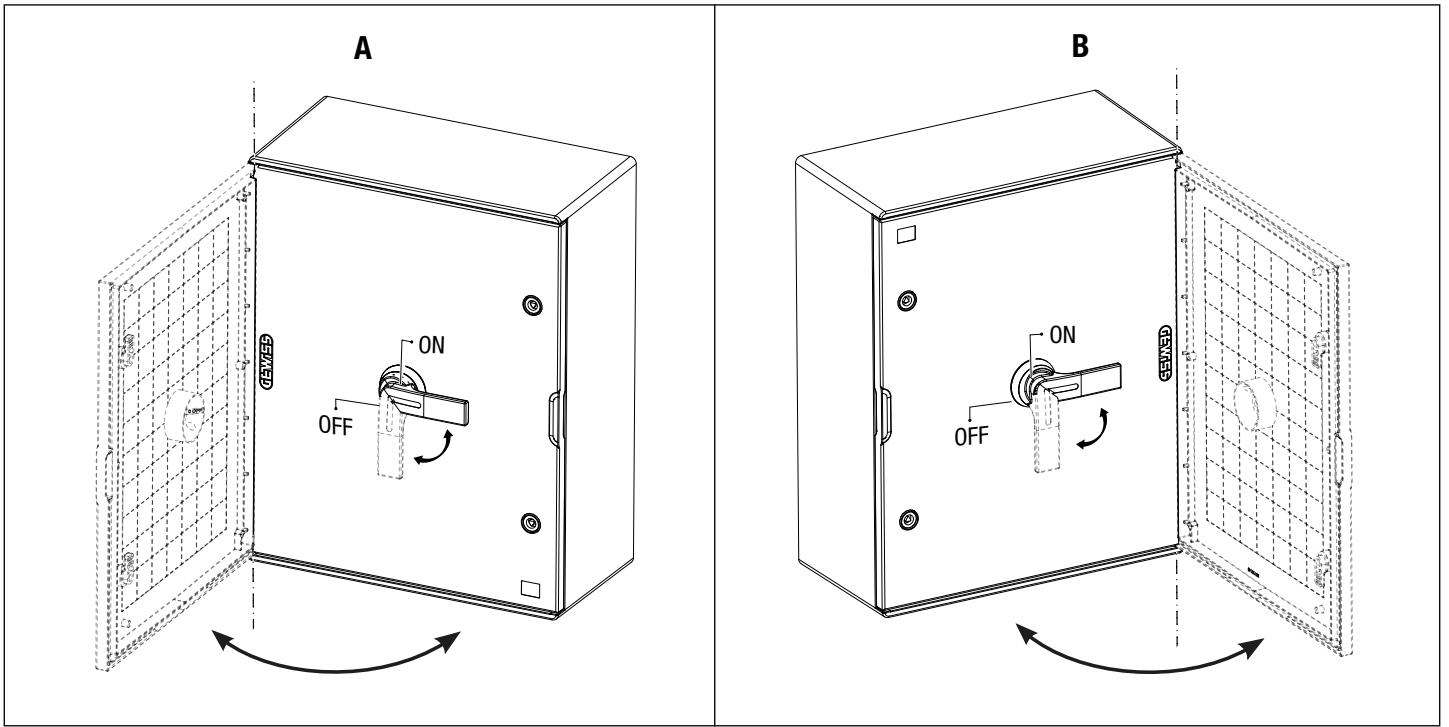
(\*) GW 70 085 / GW 70 088 + GW 70 175  
 (\*\*) GW 70 086 / GW 70 089 + GW 70 176

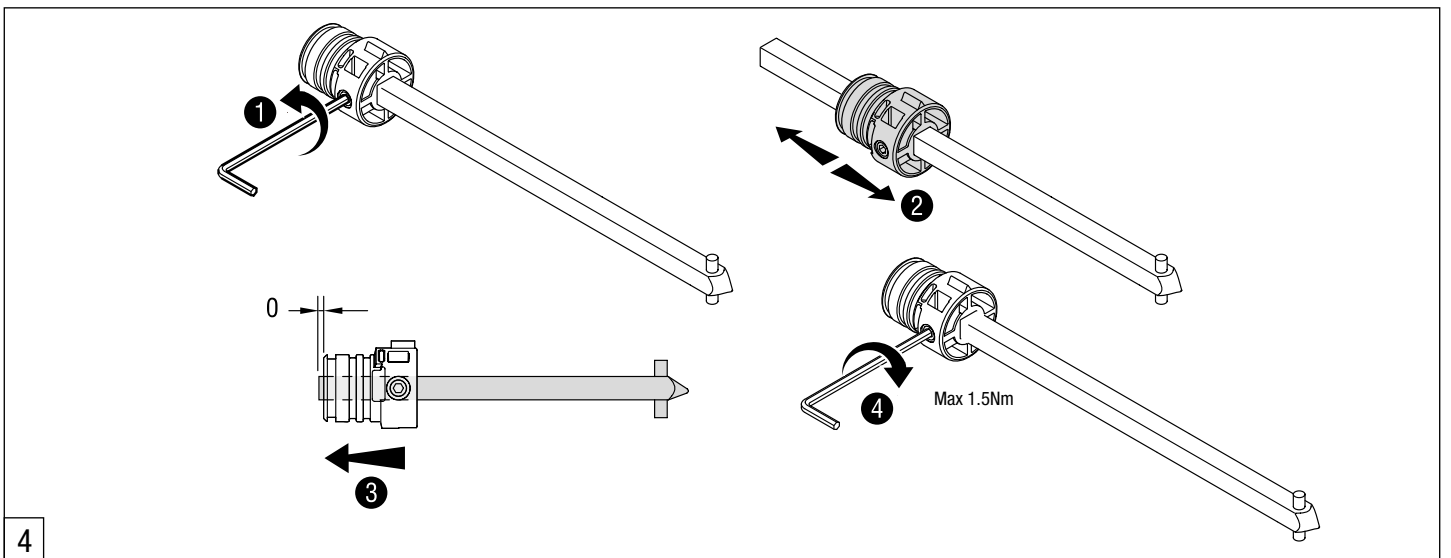
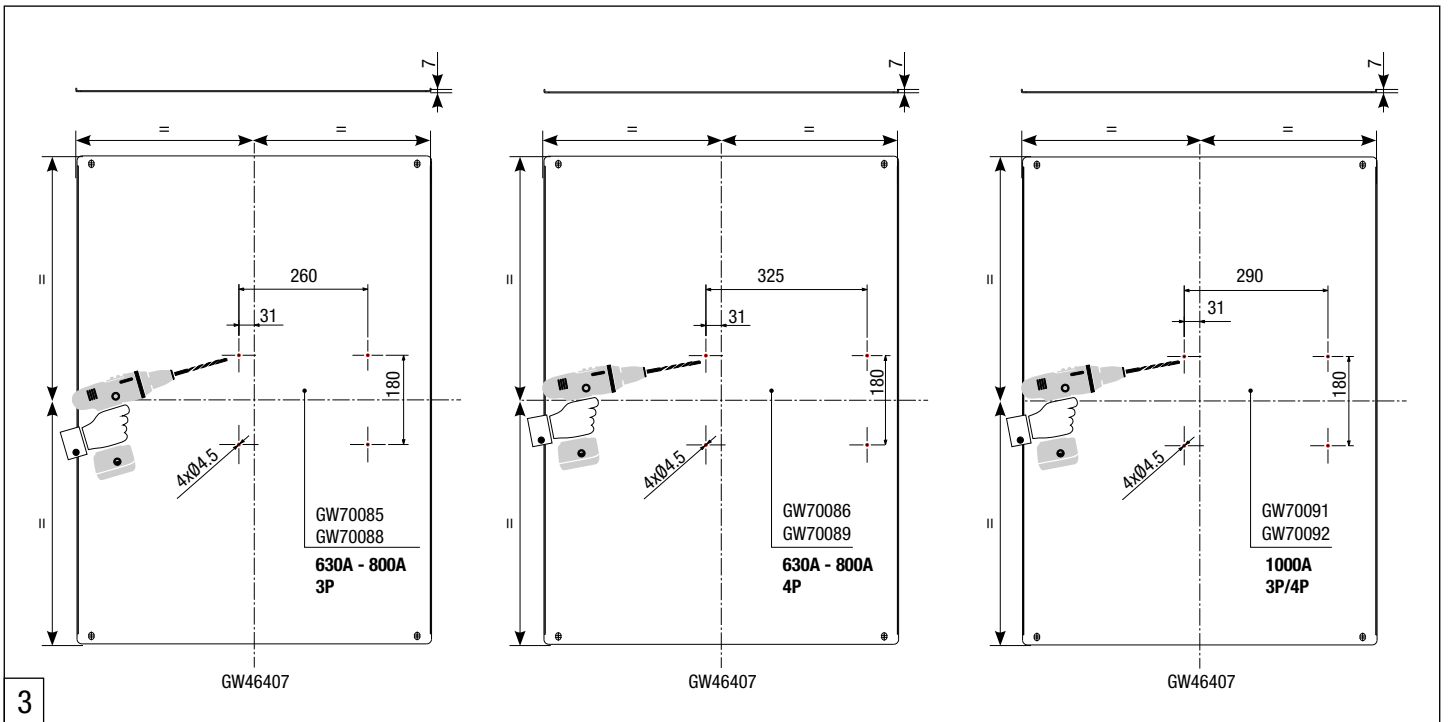
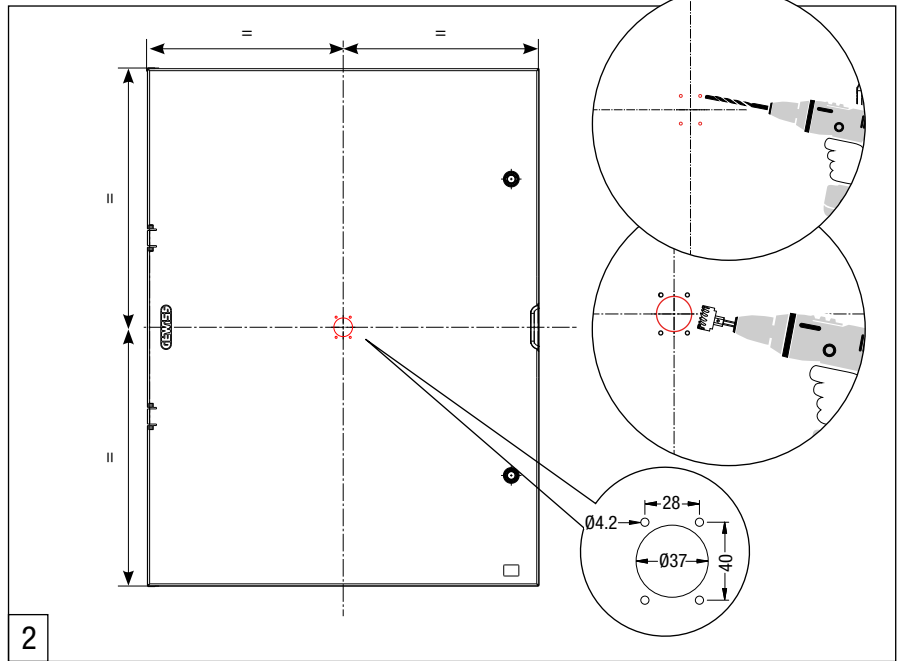
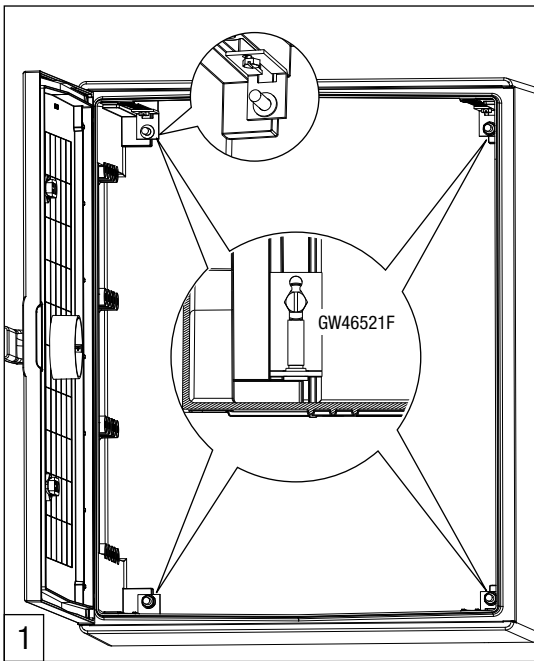


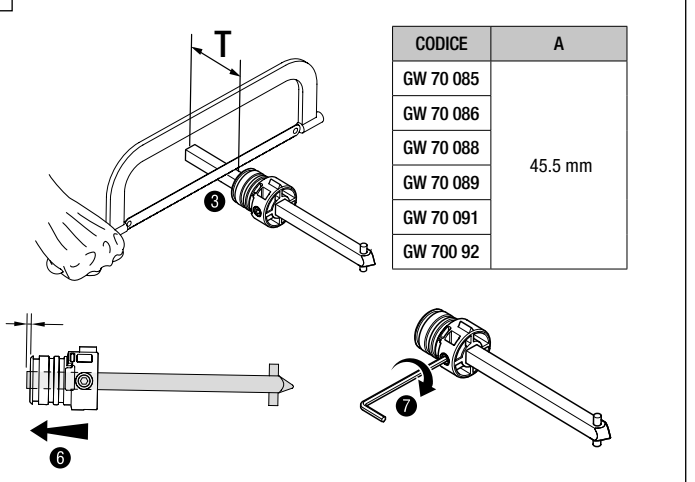
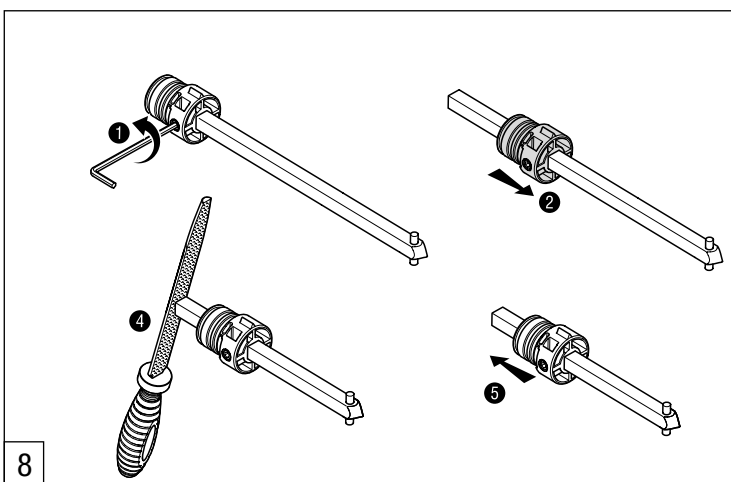
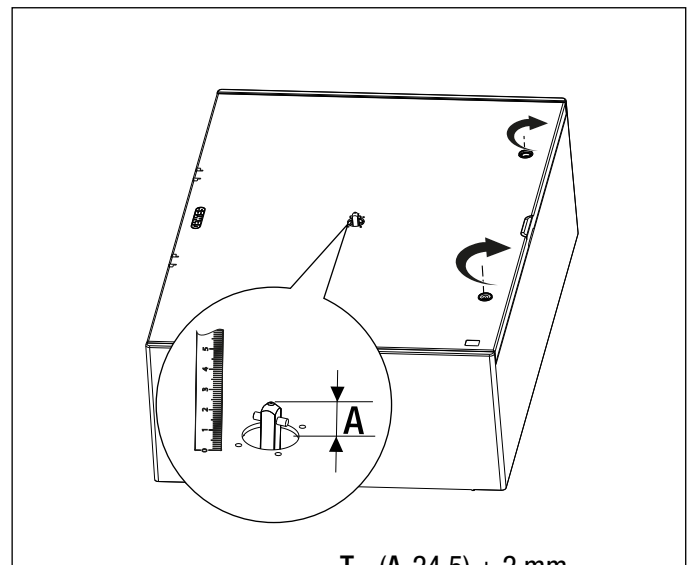
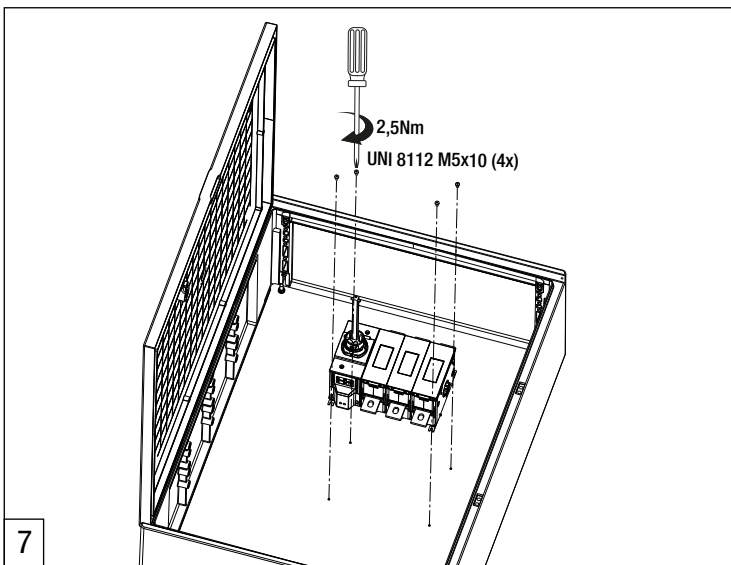
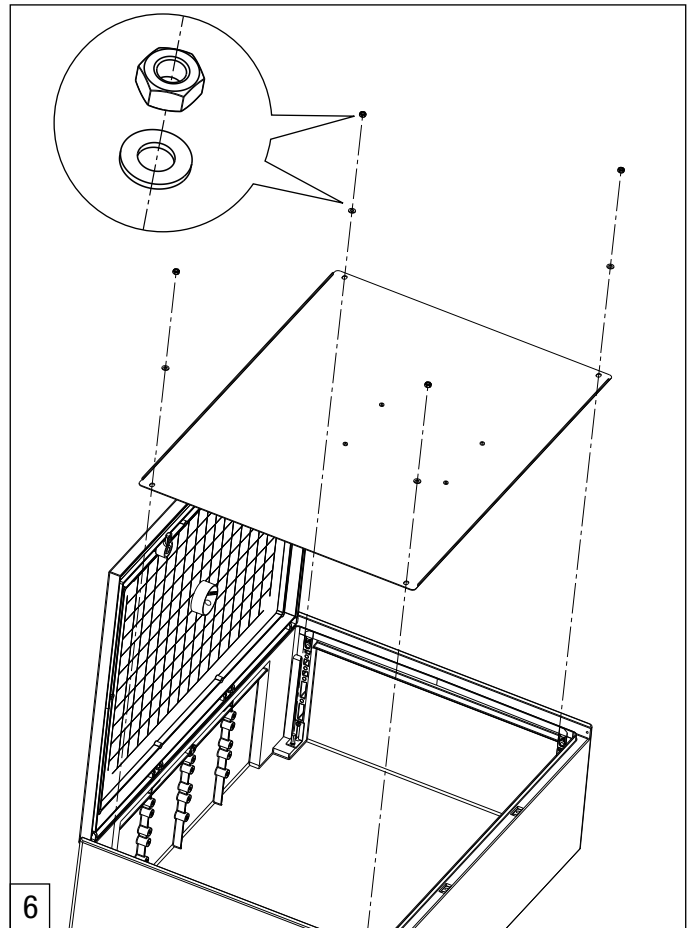
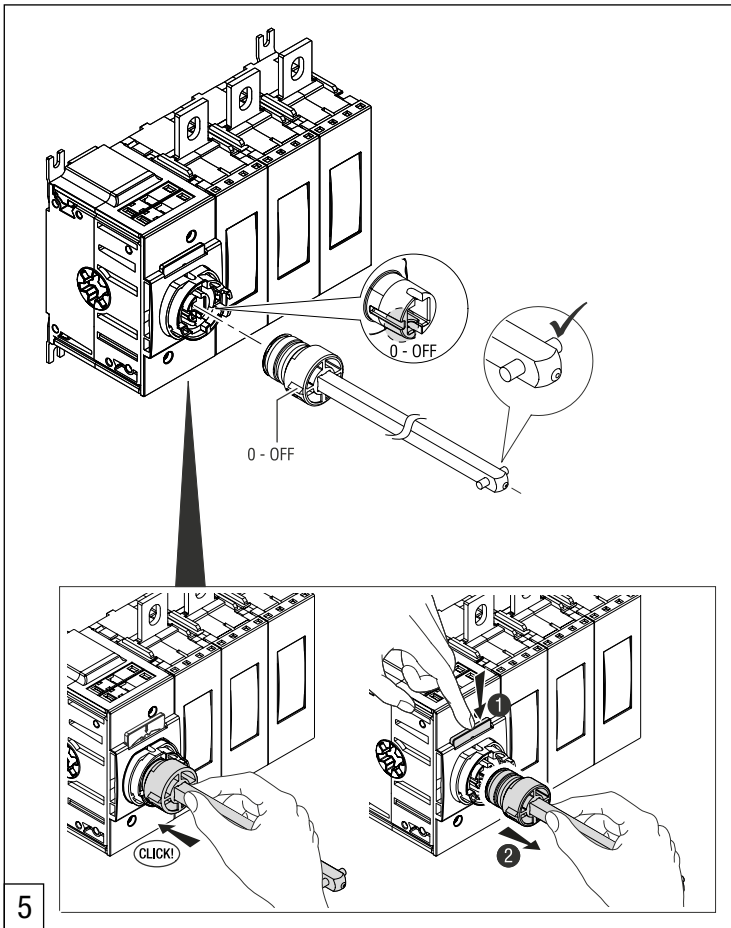


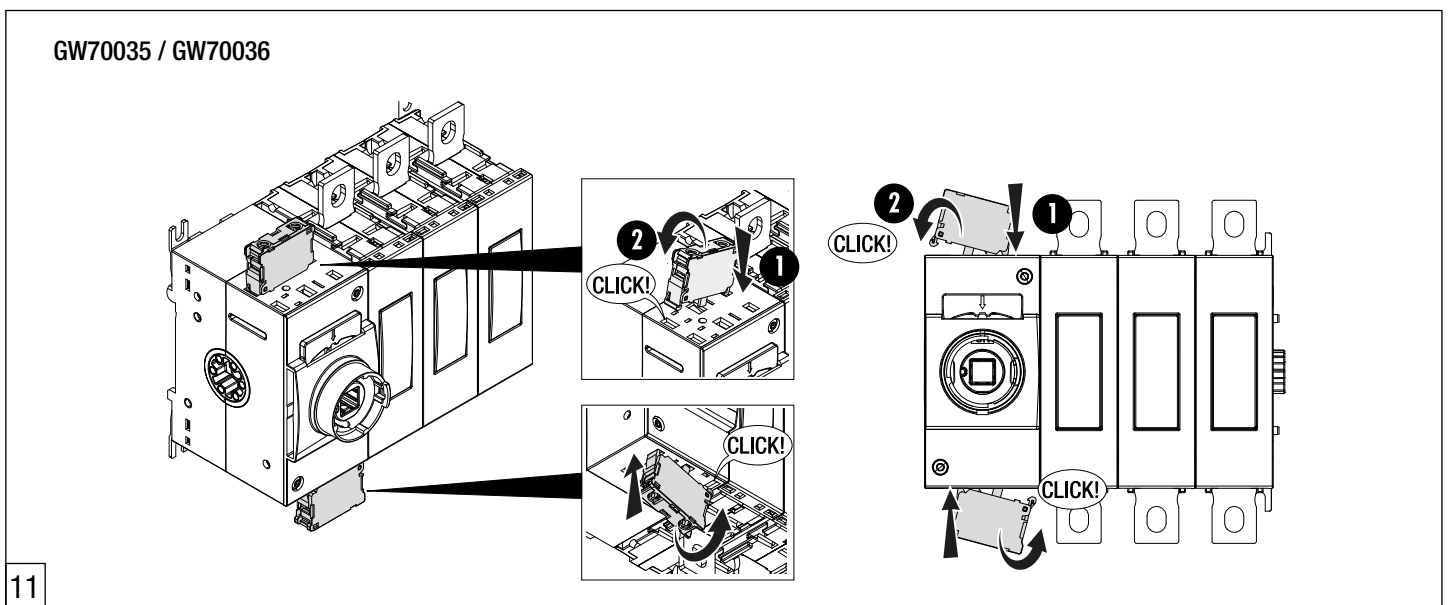
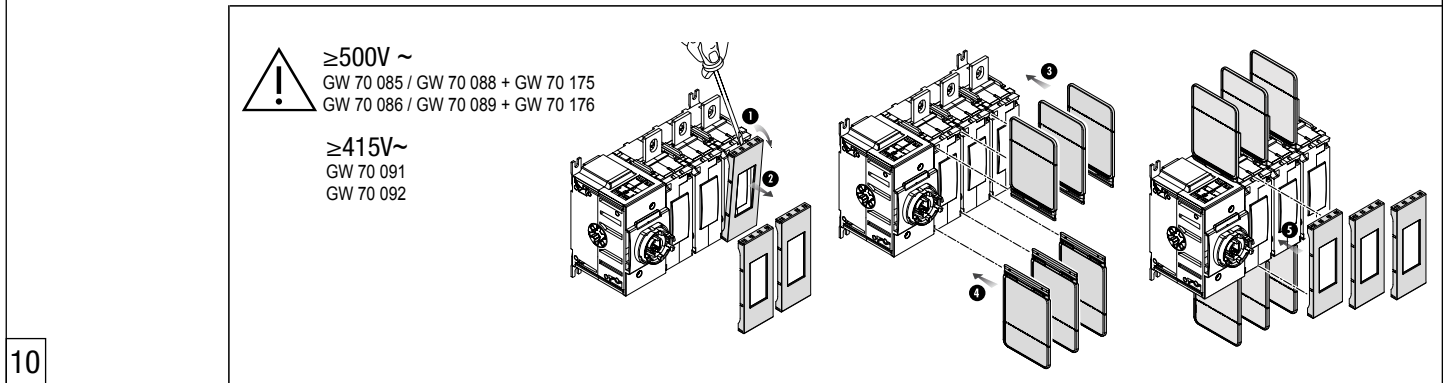
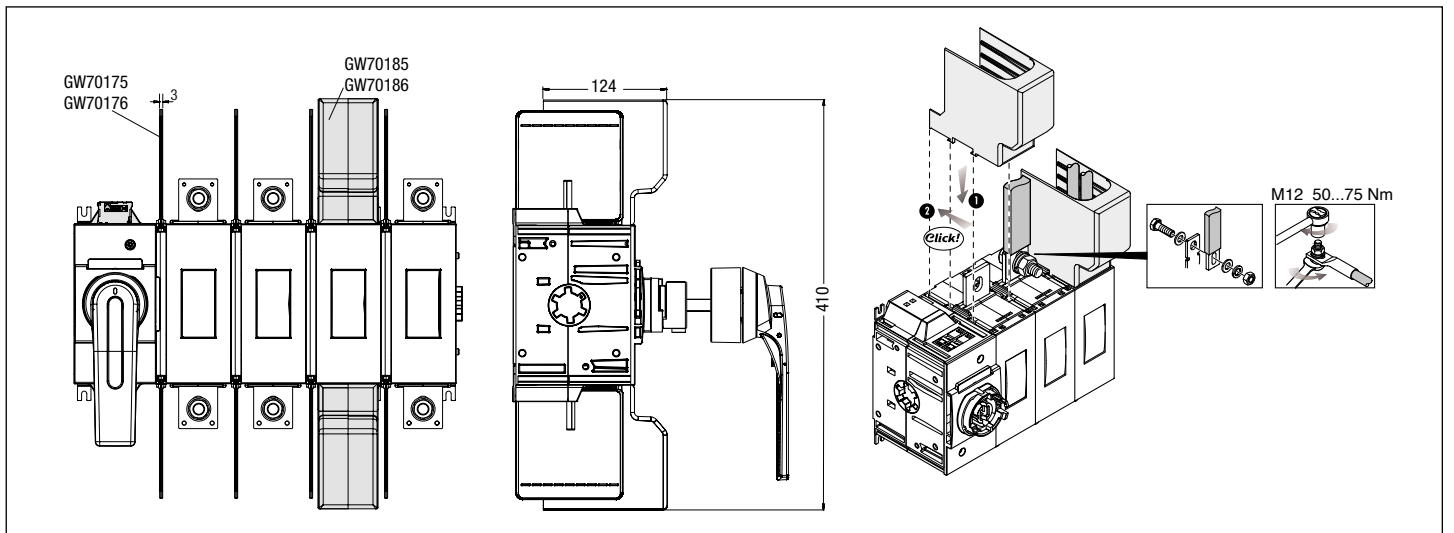
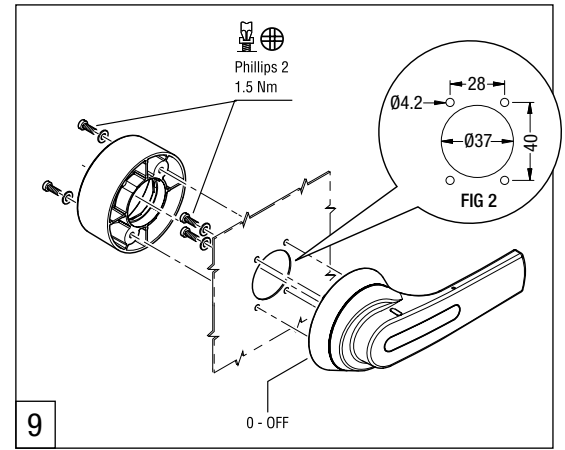
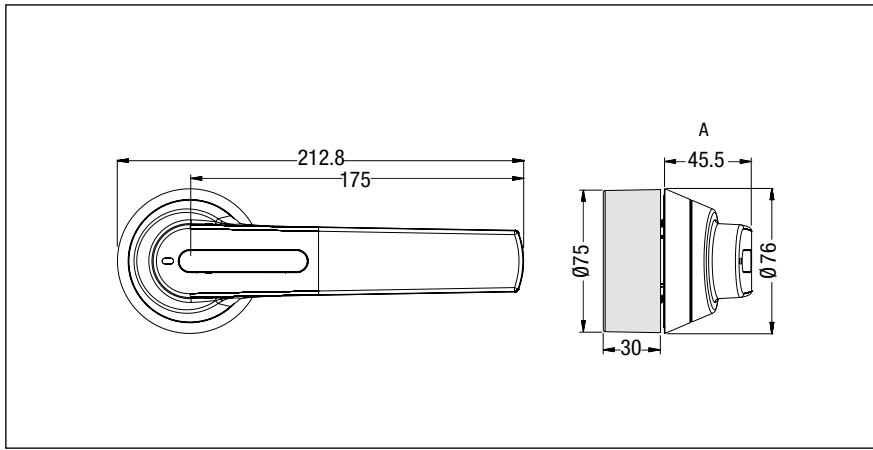


GW70092  
1000A 4P









**NOTES:**

The installer is fully responsible for the operations described in this installation manual, including drilling for cable entry and positioning of cable glands. It is essential that the work is carried out with care and precision, as the quality of the installation depends entirely on the installer.

Upon completion of the work, the installer must issue a declaration of conformity for the low voltage switchgear and controlgear assemblies in their own name. Additionally, they must apply a label to the assembled product, indicating the technical data in accordance with technical standards and applicable local laws.



Punto di contatto indicato in adempimento ai fini delle direttive e regolamenti UE applicabili:

*Contact details according to the relevant European Directives and Regulations:*

GEWISS S.p.A. Via D.Bosatelli, 1 IT-24069 Cenate Sotto (BG) Italy tel: +39 035 946 111 E-mail: [qualitymarks@gewiss.com](mailto:qualitymarks@gewiss.com)

According to applicable UK regulations, the company responsible for placing the goods in UK market is:

**GEWISS UK LTD - Unity House, Compass Point Business Park, 9 Stocks Bridge Way, ST IVES**

Cambridgeshire, PE27 5JL, United Kingdom tel: +44 1954 712757 E-mail: [gewiss-uk@gewiss.com](mailto:gewiss-uk@gewiss.com)



**+39 035 946 111**

8:30 - 12:30 / 14:00 - 18:00

lunedì - venerdì / monday - friday



[www.gewiss.com](http://www.gewiss.com)

