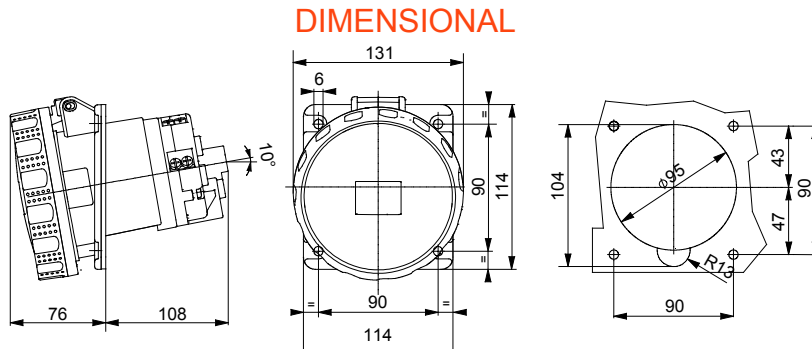


Flange dimensions (mm)	114x114	Type	10° angled flush-mounting socket-outlet
Cover dimensions mm	114x114	Insulation resistance	> 10 MΩ
Total number of operations	> 500	Thermo-pressure with ball	125 °C (active parts) - 80 °C (passive parts)
Breaking capacity at 1.1 Un	156 A	IP degree	IP67
No. of poles	3P+N+E	Mechanical resistance	IK08
Frequency	50/60 Hz	Terminal tightening capacity	16-50 mm² flexible cables - 25-70 mm² rigid cables
Operating temperature	-25 +55 °C	Type of wiring	With screw
Electrocod	2211	Glow wire test	850 °C (active parts) - 650 °C (passive parts)
Colour	Red	Rated current (A)	125
Reference h	6	Rated voltage	380 - 415 V



TECHNICAL SYMBOLOGY

125 °C (active parts)
- 80 °C (passive parts)

IP
IP67

IK
IK08

-25 +55 °C

With screw

GWT

850 °C (active parts)
- 650 °C (passive parts)

STANDARDS/APPROVALS

