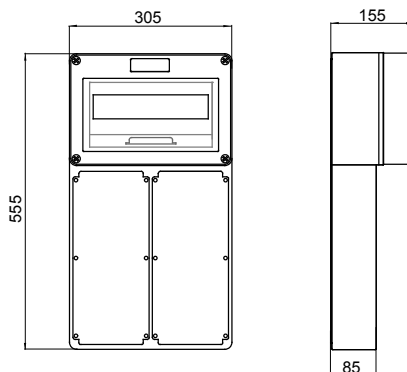




IP degree	IP66	Dispersible power (W)	27
Mechanical resistance	> IK10	Houseable interloc. socket	2
Houseable IB socket-outlets	16/32 A SELV	No. of modules EN 50022	12
Side entries	4xØ 23	Top entries	4xØ 23/29
Bottom entries	1xØ 29/37	Glow Wire Test	850 °C
Suitable for	Heavy duty	Electrocod	2222
Impact resistance at -20 °C	20 J		

DIMENSIONAL



TECHNICAL SYMBOLOGY

IP

IP66

IK

> IK10

GWT

850 °C

STANDARDS/APPROVALS

