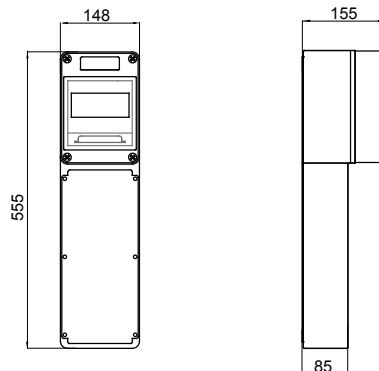




IP degree	IP66	Dispersible power (W)	18
Mechanical resistance	> IK10	Houseable interloc. socket	1
Houseable IB socket-outlets	16/32 A SELV	No. of modules EN 50022	6
Side entries	2xØ 23	Top entries	2xØ 23/29
Glow Wire Test	850 °C	Suitable for	Heavy duty
Electrocod	2222	Impact resistance at -20 °C	20 J

DIMENSIONAL



TECHNICAL SYMBOLOGY

IP **IK** **GWT**

IP66

> IK10

850 °C

STANDARDS/APPROVALS

