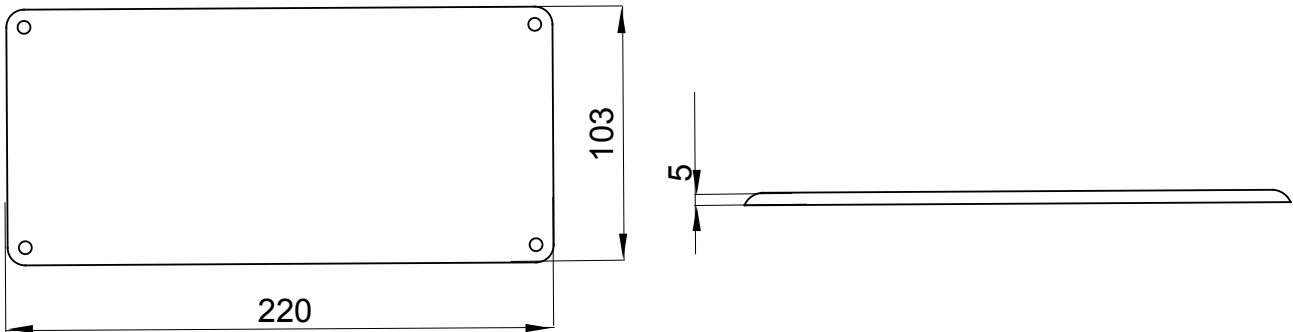




Description	Lid for vertical interlocked socket-outlet 16-32 A	Glow Wire Test	650 °C
Dimensions LxH (mm)	220x103	IP degree	IP65
Mechanical resistance	IK08	Electrocod	2222

### DIMENSIONAL



### TECHNICAL SYMBOLOGY

**GWT**      **IP**      **IK**

650 °C

IP65

IK08

### STANDARDS/APPROVALS

